



## TIMKEN® LARGE BORE SOLID-BLOCK MOUNTED BEARINGS KEEP HEAVY LOADS MOVING

### RUGGED UNITS DELIVER UNDER TOUGH CONDITIONS

When your equipment faces harsh environments, you need mounted roller bearings that are rugged enough to withstand tough conditions and deliver exceptional performance.

Designed specifically to perform under extreme conditions, Timken® solid-block mounted bearings are able to handle up to 1.5 degrees of misalignment and withstand the impact of falling debris. Made of cast-steel housings and Timken double-row spherical roller bearings, their unique sealing design offers protection from contaminants.

Inside Timken's large bore solid-block units, you'll find precision-made double nut tapered adapters, seals and solid steel housings. It's easy to find the right mounted bearing to fit your application.

**Find the sizes you need with our extended bore size offering for our Tapered Adapter Solid Block.**

- TA Series (Single tapered adapter) range from 1-<sup>7</sup>/<sub>16</sub>" - 5" (40mm-130mm)
- TAA Series (New double nut adapter) extended from 5-<sup>3</sup>/<sub>16</sub>" - 15" (135mm-380mm)
- TAA series allows for ease of installation as well as removal.



# BENEFITS OF TIMKEN® DOUBLE NUT TAPERED ADAPTER MOUNTED BEARINGS

**Mechanical Withdrawal Nut.** A simple design that in turn simplifies installation and removal of mounted bearings. The standard tapered adapter sleeve has been extended to accommodate a second nut on the back end. This nut is factory set for nominal shaft sizes and can be adjusted in the field to accommodate actual (under/over) shaft size if necessary.

**Reduce Downtime.** The sleeve is then tightened as normal until the back nut stops against the face of the inner ring indicating that proper bearing clearance and mounting force has been achieved. This eliminates the need for often difficult and imprecise measuring of in process radial internal clearance. Simplifying the installation drastically reduces installation time while improving consistency. *(Note: these sleeves will also accept hydraulic nuts.)*

**Quick Dismount.** For dismounting, the front nut is simply loosened so the back nut can be tightened to unseat the sleeve from the tapered bearing bore, greatly assisting in bearing removal.

**Enjoy Easy Ordering for a Full Assembly or Just a Few Parts.** If you need the full bearing and housing assembly, order the complete kit. But, if you need only one or more parts, order them individually. Our well-stocked inventory typically enables quick shipment of standard parts and assemblies.



- Solid rugged cast-steel (standard) housings
- Enhanced primary and optional secondary seals offer exceptional protection from contamination.
- Standard Triple-lip Urethane seals are 11 times more abrasion resistant than nitrile.
- Load capacity does not change, regardless of the mounting orientation.
- Easy conversion from fixed to floating with one rotation of the retaining nut reduces your inventory needs.

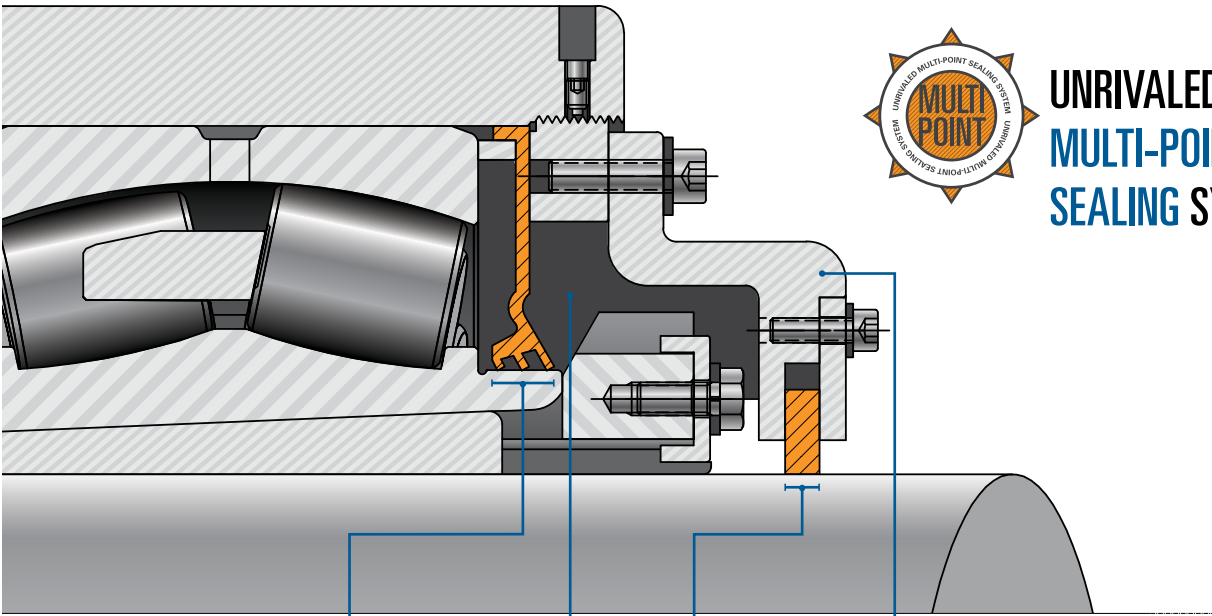
# TIMKEN SOLID-BLOCK MOUNTED SPHERICAL ROLLER BEARING INTERCHANGES FOR SAF AND SN UNITS

SAF Style Split-Block Part	Timken Solid-Block Part	SAF Style Split-Block Part	Timken Solid-Block Part	SAF Style Split-Block Part	Timken Solid-Block Part
SAF22532-5 7/16	TAAPH32K50750	SAF23034-5 13/16	TAAPH034K51350	SDAF23152-9 7/16	TAAPH152K90750
SAF22532-5 1/2	TAAPH32K50850	SAF23034-5 3/8	TAAPH034K51450	SDAF23152-9 1/2	TAAPH152K90850
SAF22534-5 13/16	TAAPH34K51350	SAF23034-5 15/16	TAAPH034K51550	SDAF23156-9 15/16	TAAPH156K91550
SAF22534-5 7/8	TAAPH34K51450	SAF23034-6	TAAPH034K60050	SDAF23156-10	TAAPH156K100050
SAF22534-5 15/16	TAAPH34K51550	SAF23036-6 5/16	TAAPH036K60550	SDAF23156-10 7/16	TAAPH156K100750
SAF22534-6	TAAPH34K60050	SAF23036-6 3/8	TAAPH036K60650	SDAF23156-10 1/2	TAAPH156K100850
SAF22536-6 5/16	TAAPH36K60550	SAF23036-6 7/16	TAAPH036K60750	SDAF23160-10 15/16	TAAPH160K101550
SAF22536-3/8	TAAPH36K60650	SAF23036-6 1/2	TAAPH036K60850	SDAF23160-11	TAAPH160K110050
SAF22536-6 7/16	TAAPH36K60750	SAF23038-6 13/16	TAAPH038K61350	SDAF23164-11 15/16	TAAPH164K111550
SAF22536-6 1/2	TAAPH36K60850	SAF23038-6 7/8	TAAPH038K61450	SDAF23168-12 7/16	TAAPH168K120750
SAF22538-6 13/16	TAAPH38K61350	SAF23038-6 15/16	TAAPH038K61550	SDAF23172-13 7/16	TAAPH172K130750
SAF22538-6 7/8	TAAPH38K61450	SAF23038-7	TAAPH038K70050	SDAF23172-13 1/2	TAAPH172K130850
SAF22538-6 15/16	TAAPH38K61550	SAF23040-7 1/8	TAAPH040K70250	SDAF23176-13 15/16	TAAPH176K131550
SAF22538-7	TAAPH38K70050	SAF23040-7 3/16	TAAPH040K70350	SDAF23176-14	TAAPH176K140050
SAF22540-7 1/8	TAAPH40K70250	SAF23040-7 1/4	TAAPH040K70450	SDAF23180-14 15/16	TAAPH180K141550
SAF22540-7 3/16	TAAPH40K70350	SAF23044-7 13/16	TAAPH040K71350	SDAF23180-15	TAAPH180K150050
SAF22540-7 1/4	TAAPH40K70450	SAF23044-7 7/8	TAAPH044K71450		
SAF22544-7 13/16	TAAPH44K71350	SAF23044-7 15/16	TAAPH044K71550		
SAF22544-7 7/8	TAAPH44K71450	SAF23044-8	TAAPH044K80050	SN 3036	TAA30SN36K16050
SAF22544-7 15/16	TAAPH44K71550	SAF23048-8 7/16	TAAPH048K80750	SN 3038	TAA30SN38K17050
SAF22544-8	TAAPH44K80050	SAF23048-8 1/2	TAAPH048K80850	SN 3040	TAA30SN40K18050
SDAF22534-5 15/16	TAAPH34DK51550	SAF23048-8 15/16	TAAPH048K81550	SN 3044	TAA30SN44K20050
SDAF22536-6 5/16	TAAPH36DK60550	SAF23048-9	TAAPH048K90050	SN 3048	TAA30SN48K22050
SDAF22536-6 3/8	TAAPH36DK60650	SAF23052-9 7/16	TAAPH052K90750	SN 3052	TAA30SN52K24050
SDAF22536-6 7/16	TAAPH36DK60750	SAF23052-9 1/2	TAAPH052K90850	SN 3056	TAA30SN56K26050
SDAF22536-6 1/2	TAAPH36DK60850	SAF23056-9 15/16	TAAPH056K91550	SN 3060	TAA30SN60K28050
SDAF22538-6 15/16	TAAPH38DK61550	SAF23056-10	TAAPH056K100050	SN 3064	TAA30SN64K30050
SDAF22540-7 3/16	TAAPH40DK70350	SAF23056-10 7/16	TAAPH056K100750	SN 3068	TAA30SN68K32050
SDAF22544-7 15/16	TAAPH44DK71550	SAF23056-10 1/2	TAAPH056K100850	SN 3072	TAA30SN72K34050
SAF22634-5 13/16	TAAPH634K51350	SDAF23060-10 15/16	TAAPH060K101550	SN 3076	TAA30SN76K36050
SAF22634-5 7/8	TAAPH634K51450	SDAF23060-11	TAAPH060K110050	SN 3080	TAA30SN80K38050
SAF22634-5 15/16	TAAPH634K51550	SDAF23064-11 7/16	TAAPH064K110750	SN 3134	TAA31SN34K15050
SAF22634-6	TAAPH634K60050	SDAF23064-11 1/2	TAAPH064K110850	SN 3136	TAA31SN36K16050
SAF22636-6 7/16	TAAPH636K60750	SDAF23064-11 15/16	TAAPH064K111550	SN 3138	TAA31SN38K17050
SAF22638-6 13/16	TAAPH638K61350	SDAF23064-12	TAAPH064K120050	SN 3140	TAA31SN40K18050
SAF22638-6 7/8	TAAPH638K61450	SDAF23068-12 7/16	TAAPH068K120750	SN 3144	TAA31SN44K20050
SAF22638-6 15/16	TAAPH638K61550	SDAF23068-12 1/2	TAAPH068K120850	SN 3148	TAA31SN48K22050
SAF22638-7	TAAPH638K70050	SDAF23072-12 15/16	TAAPH072K121550	SN 3152	TAA31SN52K24050
SAF22640-7 1/8	TAAPH640K70250	SDAF23072-13	TAAPH072K130050	SN 3156	TAA31SN56K26050
SAF22640-7 3/16	TAAPH640K70350	SDAF2307213-7/16	TAAPH072K130750	SN 3160	TAA31SN60K28050
SAF22640-7 1/4	TAAPH640K70450	SDAF2307213 1/2	TAAPH072K130850	SN 3164	TAA31SN64K30050
SDAF22634-5 15/16	TAAPH634DK51550	SDAF23076-13 15/16	TAAPH076K131550	SN 3168	TAA31SN68K32050
SDAF22636-6 7/16	TAAPH636DK60750	SDAF23076-14	TAAPH076K140050	SN 3172	TAA31SN72K34050
SDAF22638-6 15/16	TAAPH638DK61550	SDAF23080-15	TAAPH080K150050	SN 3176	TAA31SN76K36050
SDAF22640-7 3/16	TAAPH640DK70350	-	-	SN 3180	TAA31SN80K38050

\*Other possible interchanges available, contact customer service.



## UNRIVALED MULTI-POINT SEALING SYSTEM



Triple lip internal seal (urethane)	Full grease pack in cover (all covers have grease zerks)	Single lip Teflon through Shaft Seal	External through shaft cover (steel)	<b>6</b>			
<b>3</b>	<b>+</b>	<b>1</b>	<b>+</b>		<b>1</b>	<b>+</b>	<b>1</b>

### STRONG COVER UP

Count on Timken's steel auxiliary covers to help keep your mounted spherical roller bearings performing, even in dirty situations. Timken's solid-block mounted bearings provide rugged protection, but in some conditions, may need extra help sealing out troublesome contaminants.

Used with secondary seals, these steel covers are designed to create formidable protection that helps keep your business moving ahead. Our secondary sealing covers will fit on standard units - no special orders and lengthy lead time required.

#### Timken mounted bearings handle demanding heavy-industrial operations:

- Power Generation (Coal)
- Mining
- Aggregate/Cement
- Metal Mills
- Pulp & Paper/Sawmills/Forestry
- Water Treatment
- Food Processing
- Warehousing
- Movable Bridges/Structures
- Industrial Fans/Blowers

Timken offers a wide range of mounted bearings – spherical, tapered, ball and plain bearings – for many applications. With a choice of split and solid housings, seals, lubricants and other features, you can turn to Timken for your mounted bearing needs.

### Call on Timken

For your nearest Timken sales representative, visit [www.timken.com](http://www.timken.com).

# TIMKEN

The Timken team applies their know-how to improve the reliability and performance of machinery in diverse markets worldwide. The company designs, makes and markets bearings, gear drives, automated lubrication systems, belts, brakes, clutches, chain, couplings, linear motion products and related industrial motion rebuild and repair services.

**Stronger. By Design.**

[www.timken.com](http://www.timken.com)