

TIMKEN



TIMKEN® CORROSION-RESISTANT MOUNTED POLY-ROUND® PLAIN BEARING CATALOG



ABOUT THE TIMKEN COMPANY

As a global leader in bearings and industrial motion systems, Timken focuses on precise solution design, materials and craftsmanship to deliver reliable and efficient performance that improves productivity and uptime. Timken offers a full range of bearings, gear drives, automated lubrication systems, belts, chains, couplings and linear motion products along with rebuild and repair services. Timken applies its proven expertise in metallurgy, tribology and mechanical power transmission to create innovative approaches to customers' complex needs. Global availability of products and engineering talent, combined with exceptional service delivery across markets, makes Timken a preferred choice worldwide.

To view more Timken catalogs, go to www.timken.com/catalogs for interactive versions, or to download our catalog app to your smart phone or mobile device.



TIMKEN® CORROSION-RESISTANT MOUNTED POLY-ROUND® PLAIN BEARING CATALOG INDEX

Introduction	2
How To Use This Catalog	3
Shelf Life/Storage	3
Warnings	4
ENGINEERING	
Housing Styles	6
Product Information	7
Nomenclature	10
Bearing Materials	11
Applications	11
Load and Speed Ratings	11
Technical Data	12
Mounting Designs	13
Mounted Bearing Installation	14
Poly-Round® Installation	14
STAINLESS STEEL MOUNTED BEARINGS WITH POLY-ROUND INSERTS	
Stainless Steel Two-Bolt Pillow Block Mounted Bearings	16
Stainless Steel Two-Bolt Flanged Mounted Bearings	18
Stainless Steel Three-Bolt Flanged Mounted Bearings	20
Stainless Steel Four-Bolt Flanged Mounted Bearings	22
Stainless Steel Tapped-Base Mounted Bearings	24
Stainless Steel Take-Up Mounted Bearings	26
WHITE POLYMER (THERMOPLASTIC) MOUNTED BEARINGS WITH POLY-ROUND INSERTS	
Polymer Two-Bolt Pillow Block Mounted Bearings	30
Polymer Two-Bolt Flanged Mounted Bearings	32
Polymer Three-Bolt Flanged Mounted Bearings	34
Polymer Four-Bolt Flanged Mounted Bearings	36
HYGIENIC BLUE POLYMER (THERMOSET) MOUNTED BEARINGS WITH POLY-ROUND INSERTS	
Polymer Two-Bolt Pillow Block Mounted Bearings	40
Polymer Two-Bolt Flanged Mounted Bearings	42
Polymer Three-Bolt Flanged Mounted Bearings	44
Polymer Four-Bolt Flanged Mounted Bearings	46
Polymer Tapped-Base (Imperial Thread) Mounted Bearings	48
Polymer Tapped-Base (Metric Thread) Mounted Bearings	50
Polymer Wide Slot Take-Up Mounted Bearings	52
HYGIENIC STAINLESS STEEL MOUNTED BEARINGS WITH POLY-ROUND INSERTS	
Stainless Steel Two-Bolt Pillow Block Mounted Bearings	56
Stainless Steel Two-Bolt Flanged Mounted Bearings	58
Stainless Steel Three-Bolt Flanged Mounted Bearings	60
Stainless Steel Four-Bolt Flanged Mounted Bearings	62
Stainless Steel Tapped-Base (Imperial Thread) Mounted Bearings	64
Stainless Steel Tapped-Base (Metric Thread) Mounted Bearings	66
Stainless Steel Take-Up Mounted Bearings	68
POLY-ROUND SET SCREW LOCKING INSERTS	
Poly-Round Set Screw Locking Inserts	72
CORROSION-RESISTANT MOUNTED POLY-ROUND PLAIN BEARING PRODUCT OFFERING	74

TIMKEN® CORROSION-RESISTANT MOUNTED POLY-ROUND® PLAIN BEARINGS

DESIGNED FOR SAFE, EFFICIENT MANUFACTURING FOR THE FOOD AND BEVERAGE INDUSTRY

Designed to be corrosion resistant and lubrication free, Mounted Poly-Round Plain Bearings are ideal for applications where sanitation and contamination are critical concerns. Manufacturers in the food and beverage industry can trust our mounted bearings to extend bearing life, improve production uptime and – most importantly – elevate food safety.

Meet these challenges head-on with Timken. Our Mounted Poly-Round Plain Bearings are engineered for the harsh environmental conditions of food and beverage processing, including aggressive washdowns, wide temperature ranges, stringent food safety requirements and common washdown chemicals.

Improve food safety in applications such as:

- Modular plastic belt conveyors
- Wire belt conveyors
- Positive drive flat belt conveyors
- Straight table-top chain conveyors
- Dumper pivots
- Horizontal mixers
- Chillers and freezers
- Bottling machinery

Maximize Your Investment

Our Corrosion-Resistant Mounted Poly-Round Plain Bearings with greaseless design perform reliably with no need for maintenance – giving you a lower cost of ownership.

Product advantages:

- Engineered polymer insert eliminates failure due to water ingress and corrosion
- AISI 316 shaft locking sleeve with KleanCap® screws
- Housings available in cast stainless steel, white polymer (thermoplastic) as well as in hygienic blue polymer (thermoset) and hygienic stainless steel, in all mounting styles
- Dimensionally interchangeable industry-standard mounted bearings from 20 mm to 50 mm (¾ in. to 2 in.)
- Designed for operating temperatures between -40° C and 93° C (-40° F and 200° F)
- Greaseless



HOW TO USE THIS CATALOG

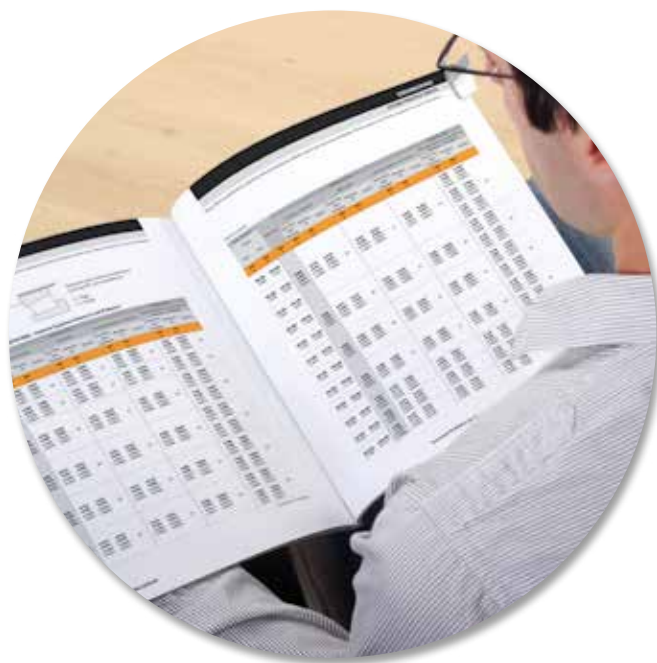
We designed this catalog to help you find the Timken bearings best suited to your equipment needs and specifications.

Timken offers an extensive range of bearings and accessories in both imperial and metric sizes. For your convenience, size ranges are indicated in millimeters and inches. Contact your Timken engineer to learn more about our complete line for the special needs of your application.

This publication contains dimensions, tolerances and load ratings, as well as engineering sections describing mounting and fitting practices for shafts and housings, internal clearances, materials and other bearing features.

It provides valuable assistance in the initial consideration of the type and characteristics of the bearings that may best suit your particular needs.

Updates are made periodically to this catalog. Visit www.timken.com/catalogs for the most recent version of the Corrosion-Resistant Mounted Poly-Round Plain Bearing Catalog.



STORAGE OF BEARINGS AND COMPONENTS

To help you get the most value from our products, Timken provides guidelines for the storage of ball and roller bearings, components and assemblies.

STORAGE

Timken suggests the following storage guidelines for our finished products (bearings, components and assemblies, referred to as "products"):

- Unless directed otherwise by Timken, products should be kept in their original packaging until they are ready to be placed into service.
- Do not remove or alter any labels or stencil markings on the packaging.
- Products should be stored in such a way that the packaging is not pierced, crushed or otherwise damaged.
- After a product is removed from its packaging, it should be placed into service as soon as possible.
- When removing a product that is not individually packaged from a bulk pack container, the container should be resealed immediately after the product is removed.
- The storage area temperature should be maintained between 0° C and 40° C (32° F and 104° F); temperature fluctuations should be minimized.
- The relative humidity should be maintained below 60 percent and the surfaces should be dry.
- The storage area should be kept free from airborne contaminants such as, but not limited to, dust, dirt, harmful vapors, etc.
- The storage area should be isolated from undue vibration.
- Extreme conditions of any kind should be avoided.

Due to the fact that Timken is not familiar with your particular storage conditions, we strongly suggest following these guidelines. However, you may be required by circumstances or applicable government requirements to adhere to stricter storage requirements.

When you receive a bearing shipment, do not remove products from their packaging until they are ready for mounting so they do not become corroded or contaminated.

Store bearings and bearing housings in an appropriate atmosphere so they remain protected for the intended period.

**WARNING**

Failure to observe the following warnings could create a risk of death or serious injury.

Proper maintenance and handling practices are critical. Always follow installation instructions and maintain proper lubrication.

Never spin a bearing with compressed air. The components may be forcefully expelled.

Overheated bearings can ignite explosive atmospheres. Special care must be taken to properly select, install, maintain and lubricate mounted bearings that are used in or near atmospheres that may contain explosive levels of combustible gases or accumulations of dust such as grain, coal, or other combustible materials.

Contact your equipment designer or supplier for installation and maintenance instructions.

If hammer and bar are used for installation or removal of a part, use a mild steel bar (e.g., 1010 or 1020 grade). Mild steel bars are less likely to cause release of high speed fragments from the hammer or bar or the part being installed or removed.

Ungrounded bearings can create static electricity that can ignite in an explosive atmosphere such as combustible gases or accumulations of dust such as grain, coal, or other combustible materials. Proper dissipation of such potential static electricity discharge must be assured to prevent any such explosion.

Below -40° C (-40° F), polymer housings may break. Select stainless or steel housings that operate to lower temperatures.

Tensile stresses can be very high in tightly fitted bearing components. Attempting to remove such components by cutting the inner ring may result in a sudden shattering of the component, causing fragments of metal to be forcefully expelled.

Always use properly guarded presses or bearing pullers to remove bearings from shafts, and always use suitable personal protective equipment, including safety glasses.

For additional Timken product warnings, visit www.timken.com/warnings.

CAUTION

Failure to observe the following cautions could result in property damage.

The products cataloged are application specific. Any use in applications other than those intended could lead to equipment failure or to reduced equipment life.

Use of improper bearing fits may cause damage to equipment.

Do not use damaged mounted bearings.

Do not use damaged bearings. The use of a damaged bearing can result in equipment damage.

NOTE

Do not use excessive force when mounting or dismantling the unit.

Follow all tolerance, fit, and torque recommendations.

Always follow the Original Equipment Manufacturer's installation and maintenance guidelines.

Ensure proper alignment.

Never weld mounted bearings.

Do not heat components with an open flame.

Do not operate at bearing temperatures above 121° C (250° F).

Do not operate plain bearings above the bearing materials maximum continuous operating temperature.

DISCLAIMER

This catalog is provided solely to give you analysis tools and data to assist you in your product selection. Product performance is affected by many factors beyond the control of Timken. Therefore, you must validate the suitability and feasibility of all product selections.

Timken products are sold subject to Timken terms and conditions of sale, which include our limited warranty and remedy. You can find these at <https://www.timken.com/legal-notices/termsandconditionsofsale/>.

Please consult with your Timken engineer for more information and assistance. Every reasonable effort has been made to ensure the accuracy of the information in this writing, but no liability is accepted for errors, omissions or for any other reason.



ENGINEERING

Timken offers a full range of standard corrosion-resistant Mounted Poly-Round Plain Bearings in both metric and imperials sizes.

The following topics are covered within this section:

Housing Styles	6
Product Information.....	7
Nomenclature.....	10
Bearing Materials	11
Applications	11
Load and Speed Ratings.....	11
Technical Data	12
Mounting Designs	13
Mounted Bearing Installation	14
Poly-Round® Installation	14

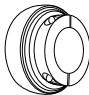
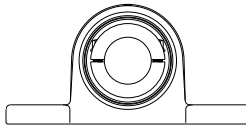
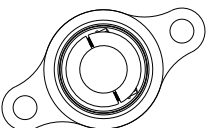
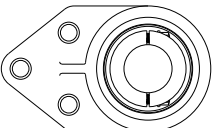
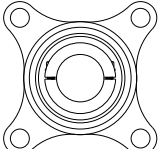
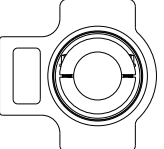
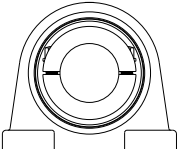


To view more Timken catalogs, go to www.timken.com/catalogs for interactive versions, or to download the Timken catalog app for your smart phone or mobile device scan the QR code or go to timkencatalogs.com.

HOUSING STYLES

Timken offers corrosion-resistant housings available in cast stainless steel, white polymer (thermoplastic) as well as in hygienic blue polymer (thermoset) and hygienic stainless steel.

**TABLE 1.
HOUSING UNIT MODEL LIST**

Model (Representative Image)	Insert Material	Locking Style	Housing Material (Available in)	Model Code	Shaft Diameter				Dimension Table Page Number					
					Min. in.	Max. in.	Min. mm	Max. mm						
	Poly-Round Insert	Poly-Round insert with stainless steel locking sleeves	DoubleLock® Sleeve with KleanCap® screws (LK)	–	NAU4LK	¾	2.0	20	50	72				
	Pillow Block Units (P)	Poly-Round insert with stainless steel locking sleeves	DoubleLock Sleeve with KleanCap screws (LK)	Stainless Steel, White Polymer (Thermoplastic)	NAU4LKSP NAU4LKPLP	¾	2.0	20	50	16, 17 30, 31				
				Hygienic Stainless Steel Hygienic Blue Polymer (Thermoset)	NAU4LKAP NAU4LKBP					56, 57 40, 41				
	Two-Bolt Flange Units (FL)	Poly-Round insert with stainless steel locking sleeves	DoubleLock Sleeve with KleanCap screws (LK)	Stainless Steel, White Polymer (Thermoplastic)	NAU4LKSFL NAU4LKPLFL	¾	2.0	20	50	18, 19 32, 33				
				Hygienic Stainless Steel Hygienic Blue Polymer (Thermoset)	NAU4LKAFL NAU4LKBFL					58, 59 42, 43				
	Three-Bolt Flange Unit (FB)	Poly-Round insert with stainless steel locking sleeves	DoubleLock Sleeve with KleanCap screws (LK)	Stainless Steel	NAU4LKSFL	¾	1 ⅞	20	40	20, 21				
				White Polymer (Thermoplastic)	NAU4LKPLFL					¾	1 ⅞	20	35	34, 35
				Hygienic Stainless Steel Hygienic Blue Polymer (Thermoset)	NAU4LKAFL NAU4LKBFL					¾	2.0	20	50	60, 61 44, 45
	Four-Bolt Flange Units (F)	Poly-Round insert with stainless steel locking sleeves	DoubleLock Sleeve with KleanCap screws (LK)	Stainless Steel, White Polymer (Thermoplastic)	NAU4LKSF NAU4LKPLF	¾	2.0	20	50	22, 23 36, 37				
				Hygienic Stainless Steel Hygienic Blue Polymer (Thermoset)	NAU4LKAF NAU4LKB					62, 63 46, 47				
	Take-Up Units (T)	Poly-Round insert with stainless steel locking sleeves	DoubleLock Sleeve with KleanCap screws (LK)	Stainless Steel	NAU4LKST	¾	2.0	20	50	26, 27				
				Hygienic Stainless Steel Hygienic Blue Polymer (Thermoset)	NAU4LKAT NAU4LKB					68, 69 52, 53				
	Tapped Base (TB, TBY, TBYM)	Poly-Round insert with stainless steel locking sleeves	DoubleLock Sleeve with KleanCap screws (LK)	Stainless Steel	NAU4LKSTB	¾	2.0	20	50	24, 25				
				Hygienic Stainless Steel Hygienic Blue Polymer (Thermoset)	NAU4LKATBY NAU4LKB					64, 65, 66, 67 48, 49, 50, 51				

For applications that require end caps please consult your Timken engineer.

PRODUCT INFORMATION

INSERTS

A Poly-Round insert includes a Poly-Round bearing and locking sleeve. Poly-Round inserts are ideal for tough applications where ball bearings don't perform as reliably. This includes applications exposed to low temperatures, washdown, processing liquids or chemicals, incomplete rotation or oscillating motion.

ENGINEERED POLYMER BEARINGS

Made from bearing-grade polymer, our bearings provide reliable and predictable operation with no maintenance. Standard NA material has a blue-gray color and is used in typical applications, including moderate to medium loads and operating temperatures ranging from -40° C to 93° C (-40° F to 200° F). This greaseless design provides excellent washdown and shock resistance, delivering superior food safety.

IP69 and IP69K are often used as measures of ingress protection against water for bearing units. IP ratings are not applicable for the Poly-Round Bearing, since they are not sealed units. However, the Poly-Round Bearings can most often be utilized where IP69 or IP69K certification is requested. The Poly-Round Bearing is not impacted by high-pressure jets, and can operate well in the presence of common washdown chemicals. This eliminates the most common cause of failure in ball bearings in the food processing environment.

SHAFT LOCKING SLEEVES

Locking sleeves provide an optimal bearing surface and protect shaft surfaces from the normal wear caused by plain bearings and control lateral shaft movement. Shaft locking sleeves feature AISI 316 stainless steel and hygienic-design Kleancap screws, offering superior corrosion resistance in harsh washdown conditions.

USDA EQUIPMENT ACCEPTANCE

USDA-accepted Hygienic Mounted Poly-Round Bearings meet NSF/ANSI/3-A SSI-14159- 1-2014 requirements and comply with the most stringent industry requirements.



PREDICTABLE WEAR

Mounted Poly-Round Plain Bearings allow you to focus on preventive maintenance to improve uptime.

A SOLUTION FOR EVERY APPLICATION

A wide range of bearing materials and housing styles are available to meet more specific conditions, including higher loads, higher or lower temperatures, higher speeds and submersion. Some materials provide hygienic features such as food contact material, as well as optical and metal detectability. Please consult your Timken engineer for information regarding applications with submersion or lower operating temperatures.

INTERCHANGEABLE WITH WIDE INNER RING BEARINGS

A self-aligning O.D. and locking pin make the mounted bearings adaptable to existing equipment designs and are dimensionally interchangeable with industry-standard mounted ball bearing products.

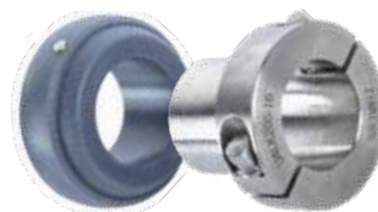


Fig. 2. Poly-Round insert with stainless steel locking sleeve.



Fig. 3. Hygienic Blue Polymer Housing, a Poly-Round plain bearing insert and stainless steel locking sleeve.

HOUSING



Fig. 4. S - stainless steel.

- Stainless steel solid body housing
- Smooth surface
- Laser marking
- Lubrication hole plugged for Poly-Round



Fig. 6. A - hygienic stainless steel.

- Hygienic machined stainless steel mounted bearing
- Ultra smooth surface
- USDA acceptance mounted bearing
- Laser marking
- No lubrication hole for Poly-Round insert



Fig. 5. PL - white polymer (thermoplastic).

- White polymer (thermoplastic) solid body housing
- Smooth surface
- Laser marking
- Lubrication hole plugged for Poly-Round



Fig. 7. B - hygienic blue polymer (thermoset).

- Hygienic blue polymer (thermoset) solid body housing
- Ultra smooth surface
- USDA acceptance mounted bearing
- Laser marking
- No lubrication hole for Poly-Round insert

WHAT IS HYGIENIC DESIGN?

Hygienic design is the practice of engineering and designing machines with safer food production in mind. Built to address common food safety hazards, hygienic design products resist:

- Chemical contamination related to lubricant leakage, oxide particles or polymer contact.
- Physical contamination, including foreign particles from loose or broken parts.
- Microbiological contamination from bacteria or fungi that develop in dead volumes.

Our hygienic-design products have been designed according to NSF/ANSI/3-A SSI 14159-1 – 2014 requirements. These globally recognized standards help improve food safety by:

- Mandating the use of corrosion- and washdown-resistant materials.
- Requiring construction that facilitates cleaning and inspection.
- Preventing the retention of moisture and contaminants.

Timken Hygienic Poly-Round Mounted Bearings meet the highest standards in food safety. They feature:

- Highly corrosion-resistant stainless steels and chemically resistant engineered polymers.
- Hygienic construction due to its solid base with no dead spaces that cannot be accessed for cleaning, smooth surface, sleek and rounded shape, laser marking.

As a result, Timken Hygienic Poly-Round Mounted Bearings are certified as Accepted Equipment by the USDA under the Meat and Poultry Equipment Review Program.

Take food safety to the next level with:

- Greaseless Poly-Round plain bearings.
- Optically detectable blue polymer housings.
- Optional QuiKlean® stand-off for maximum cleanability and limited contact area.
- Further Poly-Round insert options with optical and metal-detectability, FDA- and EU-compliance for food contact.



NOMENCLATURE CORROSION-RESISTANT MOUNTED POLY-ROUND PLAIN BEARING

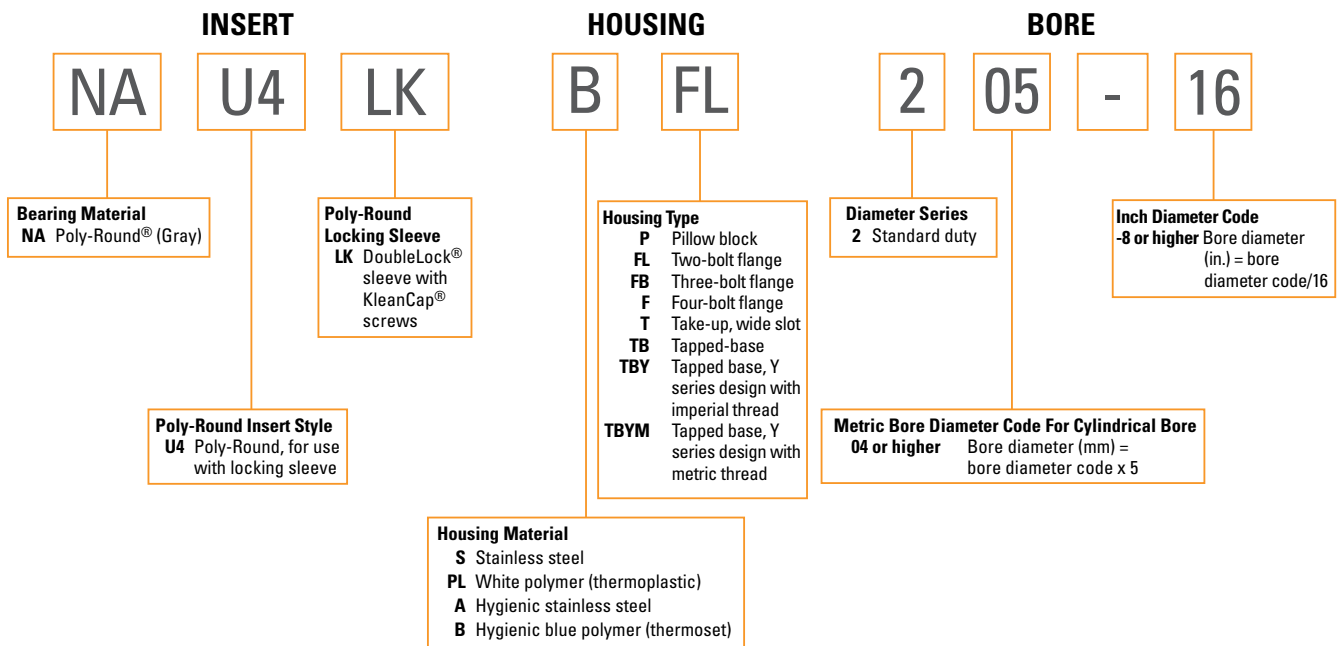


Fig. 1. Corrosion-resistant Mounted Poly-Round Plain Bearing nomenclature.

BEARING MATERIALS

NA is the standard material for Poly-Round bearings. It has a blue-gray color and its specifications cover most of typical applications:

- Suitable for moderate to medium load applications.
- Excellent washdown and shock resistance.
- Operating temperature ranges from -40° C to 93° C (-40° F to 200° F).
- For applications using NA material at lower temperatures or with submersion, please consult your Timken engineer.

Other application-specific materials to deal with conditions such as higher loads, higher or lower temperatures, higher speeds and submersion are available. Some materials may also provide hygienic features like food contact, optically and metal-detectable material. For more information, contact your Timken sales engineer.

APPLICATIONS

Mounted Poly-Round Plain Bearings are designed for applications in food and beverage processing with harsh environmental conditions. These conditions might include washdown, wide temperature ranges, stringent food safety requirements and common washdown chemicals. Typical examples are:

- Modular plastic belt conveyors
- Wire belt conveyors
- Positive drive flat belt conveyors
- Straight table-top chain conveyor
- Dumper pivots
- Horizontal mixers
- Chillers and freezers
- Bottling machinery

It's suggested to use a rolling element bearing in applications

where one or more of the following conditions exist:

- Tension (e.g. flat belt conveyors, round belt conveyors, drive and tail shafts in ovens, drive shaft in curved table-top chain conveyors, belt drive)
- High speed (e.g. fans, pumps)
- Cantilever load (e.g. shaft-supported geared motor)
- Trunnions (e.g. tumblers)
- Precise centerline (e.g. slicers)
- Abrasive media (e.g. breaders)

LOAD AND SPEED RATINGS

Bearing capacity is primarily limited by the heat generated by friction in the bearing. This can be quantified by the pressure-velocity factor. The load-speed factor shown in the tables below is a practical limit based on the maximum pressure-velocity factor of the material and the actual internal geometry of the bearing. For successful operation of a Poly-Round bearing, the load, speed, and load-speed factor must all be lower than the values shown in table 2 below for NA Poly-Round ratings.

TABLE 2.
LOAD AND SPEED RATINGS FOR
NA POLY-ROUND INSERT WITH LOCKING SLEEVE

Series	Max Speed	Max Load	Max Load-Speed Factor ⁽¹⁾
	RPM	N lbf	N/min lbf/min
204	1,500	6,480	82,500
		1,460	18,600
205	1,200	9,110	95,800
		2,050	21,500
206	1,000	12,000	103,000
		2,710	23,100
207	870	15,800	118,000
		3,550	26,600
208	780	20,500	138,000
		4,620	30,900
209	720	22,100	135,000
		4,970	30,500
210	640	26,400	145,000
		5,940	32,500

⁽¹⁾Load-speed Factor = Bearing Load (in lbs. resp. N) x Bearing Speed.

TECHNICAL DATA

The following tables provide important installation details related to shaft tolerance, recommended torque for set screws and mounting bolts.

**TABLE 3.
SUGGESTED SHAFT TOLERANCES FOR POLY-ROUND**

Shaft Size		Shaft Tolerance	
Over	Incl.	Min.	Max.
mm in.	mm in.	mm in.	mm in.
20	29	-0.051	0.013
0.472	1.142	-0.0020	0.0005
30	50	-0.051	0.025
1.181	1.969	-0.0020	0.0010

Turned or ground shafting is suggested.

**TABLE 4.
SUGGESTED POLY-ROUND LOCKING SLEEVE SCREW TORQUE**

Bore Dia. Code		Screw Head Size		Tightening Torque	
Over	Incl.	mm	in.	Nm	lbf.in
04	08	6	¼	12.4	110
09	10	8	⅝	22.6	200

Note 1: Locking sleeves for metric shaft sizes are fitted with metric head screws; locking sleeves for imperial shaft sizes are fitted with imperial head screws

Note 2: A thin-walled deep socket key is required for tightening the locking sleeve screw

**TABLE 5.
SUGGESTED MOUNTING BOLT TORQUE**

Bolt Size	Tightening Torque	Bolt Size	Tightening Torque
mm	N-m	in.	ft.-lbs.
M6		¼	
M8	6 – 10	⅝	4 – 7
M10	12 – 21	⅜	9 – 16
M12	21 – 37	7/16	16 – 27
M14	34 – 60	½	26 – 44
M16	53 – 93	⅝	39 - 69

MOUNTING DESIGNS

TWO-UNIT MOUNTING

In the majority of the applications, bearings must control the lateral movement of the shaft. The flanges on the locking sleeves should be faced in opposite directions to control the shaft movement in both directions. The location of the locking sleeve flange must either both be outside or both be inside of the bearing (see fig. 8).

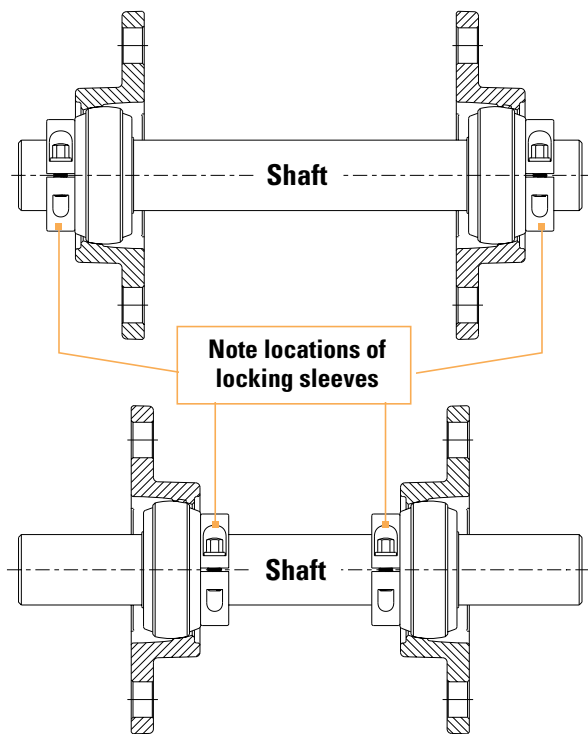


Fig. 8. Location of locking sleeve flange.

SINGLE UNIT MOUNTING

In case of a single direction thrust load (e.g. vertical shaft subject to gravity only), the flange of the locking sleeve can control the shaft movement. In such cases, it should be positioned on the side of the bearing opposite to the direction of the thrust load (i.e. top side in case of gravity).

For safety reasons or reversing thrust loads, three sleeve options are available to control shaft movement in both directions:

- Double flange sleeve
- Split sleeve
- Additional split locking collar

For further information, please contact your Timken sales representative.

MOUNTED BEARING INSTALLATION

Poly-Round mounted bearings are mounted on the shaft with two screws in the flange of the locking collar. This locking system may provide ease in mounting and a firm fit onto the shaft in the presence of thrust loads.

Installation procedures are shown below.

1. Ensure the shaft is straight, free from burrs, clean, and of proper diameter. See table 3 on page 11 for suggested shaft tolerances.
2. Align the bearing in its housing then slide the unit into position on the shaft.
3. Bolt the housing to its mounting supports using an appropriately sized fastener. Flat washers should be used when installing any kind of mounted bearing. Washers should be properly sized to the bolt diameter. Lightly tighten the bolts to ensure the unit is properly seated.
4. Lock the bearing to the shaft by tightening each locking sleeve screw incrementally to suggested torque levels (table 4 on page 11). In the case of a two-support mount, first place a 0.1 mm (0.005 in.) feeler gage between the flange of its locking sleeve and the corresponding face of the insert. Then lock the second bearing the same way as the first one. This way, the arrangement will be set to a proper end-play.
5. The shaft shall spin freely inside the bearing. If needed, adjust the bearing for better alignment.
6. Tighten the mounting bolts to the suggested bolt torque (table 5 on page 11). Check again for free spinning, and repeat steps 3 through 6 as required.
7. Finalize the mounting of the equipment according to the manufacturer's instructions, and turn the equipment on. Note that the operating temperature of a Poly-Round bearing may be higher than a rolling bearing in the same application.

POLY-ROUND REPLACEMENT

POLY-ROUND® INSTALLATION

Poly-Round Polymer Plain Bearings have a different coefficient of thermal expansion than the polymer housing or stainless steel housing. The resultant fit of the Poly-Round bearing to the housing will be impacted by the local environment. Low temperatures could cause this fit to be looser than normal, while high temperatures may cause a tighter fit. These are normal, environmental factors that should be considered prior to installation. In certain cases, assembly of the Poly-Round bearing into the housing can be made easier if it is chilled beforehand. This can aid in the assembly and positioning of the bearing. The Poly-Round bearing can be easily cooled in a freezer or ice-water. Once installed and aligned, the bearing should operate as designed.

When the shaft centerline displacement affects the operation of the equipment, the bearing may need to be rotated by 180 degrees to use the unworn portion (see fig. 9) or replaced.

If there is excessive wear on the locking sleeve, replace the Poly-Round insert with sleeve assembly.

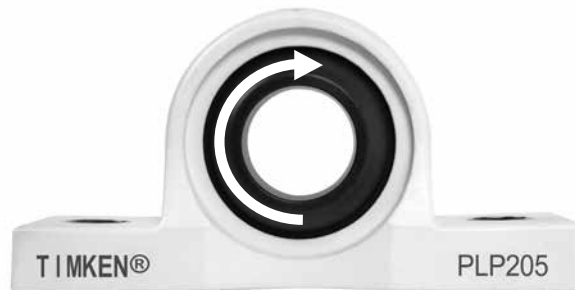


Fig. 9. 180-degree rotation of bearing.

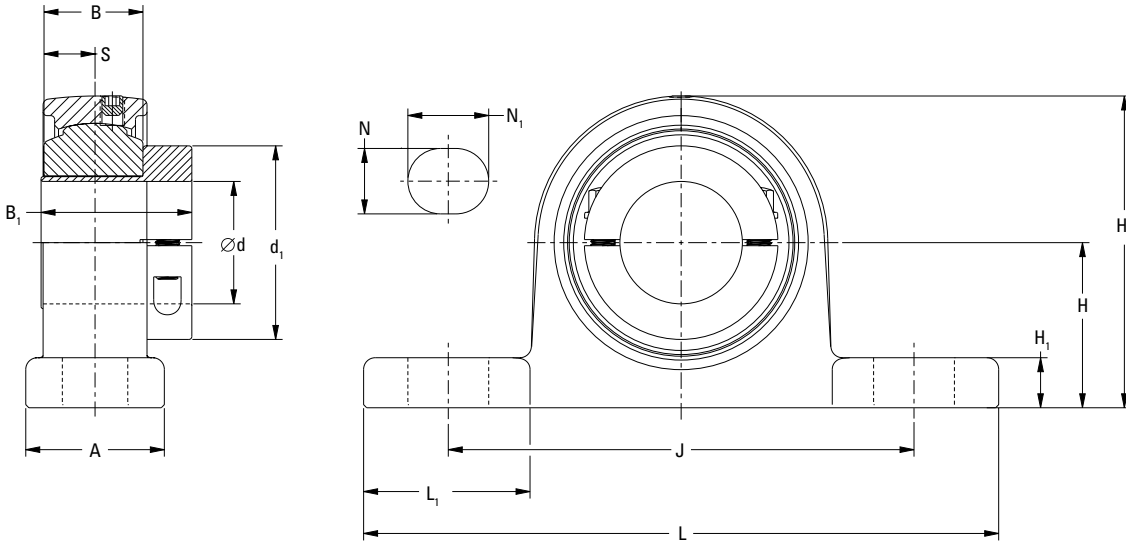


***STAINLESS STEEL
MOUNTED BEARINGS WITH
POLY-ROUND INSERTS***

The following topics are covered within this section:

Stainless Steel Two-Bolt Pillow Block Mounted Bearings	16
Stainless Steel Two-Bolt Flanged Mounted Bearings	18
Stainless Steel Three-Bolt Flanged Mounted Bearings	20
Stainless Steel Four-Bolt Flanged Mounted Bearings	22
Stainless Steel Tapped-Base Mounted Bearings	24
Stainless Steel Take-Up Mounted Bearings	26

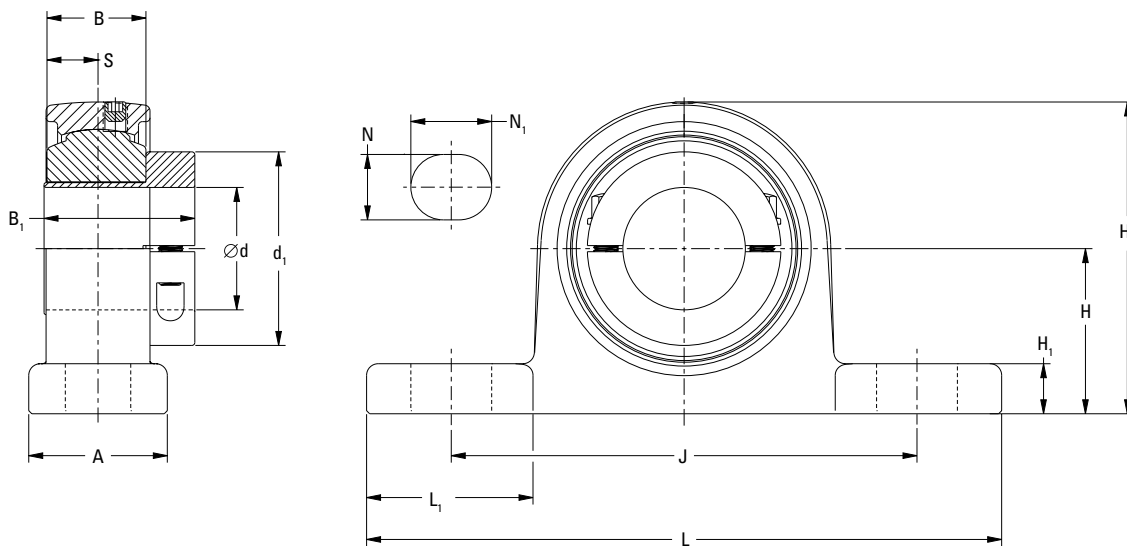
STAINLESS STEEL TWO-BOLT PILLOW BLOCK MOUNTED BEARINGS



Shaft Dia. d		Pillow Block Designation	Poly-Round Insert Designation	Dimensions												Bolt Size	Wt.														
				H	L	A	H ₁	J	H ₂	B	S	B ₁	d ₁	N	N ₁																
mm	in.																														
20	3/4	NAU4LKSP204-12	NAU4LK204-12	33.3	127	30	11	95	63	20.7	11.1	34.2	41	13	18	M10	0.6														
		NAU4LKSP204	NAU4LK204	1 3/16	5	1 3/16	7/16	3 3/4	2 13/32	0.815	0.437	1.346	1.614	1/2	23/32	3/8	1.2														
25	7/8	NAU4LKSP205-14	NAU4LK205-14	36.5	140	30	12	105	69	23.9	12.8	37.3	44	13	19	M10	0.7														
		NAU4LKSP205-15	NAU4LK205-15																												
		NAU4LKSP205	NAU4LK205															1 7/16	5 1/2	1 3/16	1 5/32	4 1/8	2 29/32	0.940	0.503	1.469	1.732	1/2	3/4	3/8	1.6
	1	NAU4LKSP205-16	NAU4LK205-16																												
30	1 1/8	NAU4LKSP206-18	NAU4LK206-18	42.9	165	36	13	121	81	25.7	13.3	39.2	50	17	21	M14	1.1														
		NAU4LKSP206	NAU4LK206																												
		NAU4LKSP206-19	NAU4LK206-19															1 11/16	6 1/2	1 13/32	1/2	4 3/4	3 3/16	1.012	0.522	1.543	1.969	21/32	13/16	1/2	2.4
	1 1/4	NAU4LKSP206-20	NAU4LK206-20																												
35	1 1/4	NAU4LKSP207-20	NAU4LK207-20	47.6	167	38	14	127	91	29.4	16.7	42.8	57	17	21	M14	1.3														
		NAU4LKSP207-21	NAU4LK207-21																												
		NAU4LKSP207-22	NAU4LK207-22															1 7/8	6 5/8	1 1/2	9/16	5	3 19/32	1.157	0.657	1.685	2.244	21/32	13/16	1/2	3.0
		NAU4LKSP207	NAU4LK207																												
		NAU4LKSP207-23	NAU4LK207-23																												

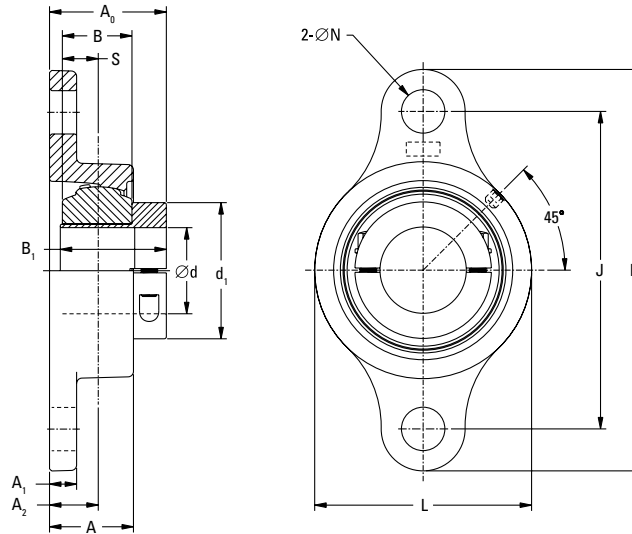
STAINLESS STEEL MOUNTED BEARINGS WITH POLY-ROUND INSERTS

STAINLESS STEEL TWO-BOLT PILLOW BLOCK MOUNTED BEARINGS



Shaft Dia. d		Pillow Block Designation	Poly-Round Insert Designation	Dimensions											Bolt Size	Wt.	
				H	L	A	H ₁	J	H ₂	B	S	B ₁	d ₁	N			N ₁
mm	in.																
40	1 ½	NAU4LKSP208-24	NAU4LK208-24	49.2	184	40	14	137	97	34.2	19.1	47.6	60	17	21	M14	1.6
	1 ⅝	NAU4LKSP208-25	NAU4LK208-25	1 15/16	7 ¼	1 ⅞	⅞	5 13/32	3 13/16	1.345	0.751	1.874	2.362	2 1/2	1 3/16	½	3.5
		NAU4LKSP208	NAU4LK208														
45	1 ⅝	NAU4LKSP209-26	NAU4LK209-26	54	190	40	15	146	104	33.7	18.6	50.3	70	17	21	M14	1.8
	1 11/16	NAU4LKSP209-27	NAU4LK209-27														
	1 ¾	NAU4LKSP209-28	NAU4LK209-28														
	NAU4LKSP209	NAU4LK209	2 1/8	7 13/32	1 ⅞	1 9/32	5 3/4	4 3/32	1.325	0.731	1.980	2.756	2 1/2	1 3/16	½	4.0	
50	1 ⅞	NAU4LKSP210-30	NAU4LK210-30	57.2	206	45	16	159	111	36.1	21	52.7	76	20	22	M16	2.2
	1 15/16	NAU4LKSP210-31	NAU4LK210-31														
		NAU4LKSP210	NAU4LK210														
	2	NAU4LKSP210-32	NAU4LK210-32	2 ¼	8 1/8	1 25/32	5/8	6 ¼	4 3/8	1.420	0.826	2.075	2.992	2 5/8	7/8	5/8	4.9

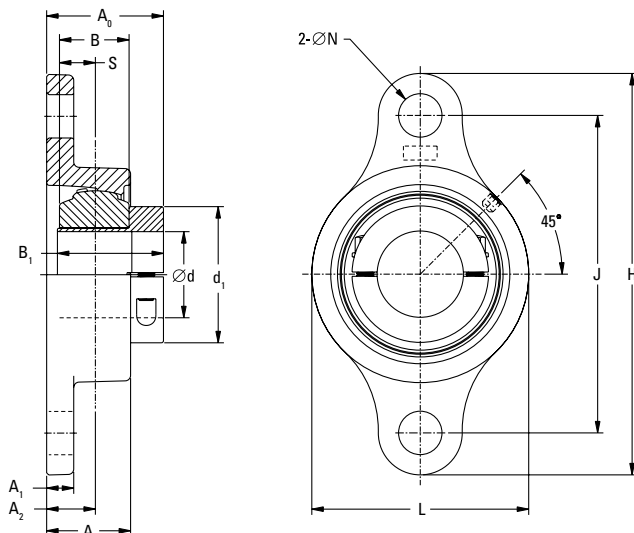
STAINLESS STEEL TWO-BOLT FLANGED MOUNTED BEARINGS



Shaft Dia. d		Two-Bolt Flange Designation	Bearing Designation	Dimensions												Bolt Size	Wt.
				H	J	A ₁	A	A ₀	L	A ₂	B	S	B ₁	d ₁	N		
mm	in.			mm in.	mm in.	mm in.	mm in.	mm in.	mm in.	mm in.	mm in.	mm in.	mm in.	mm in.	mm in.	mm in.	kg lbs.
20	¾	NAU4LKSFL204-12	NAU4LK204-12	113	90	10	26	37.3	60	15	20.7	11.1	34.2	41	12	M10	0.4
		NAU4LKSFL204	NAU4LK204	4 7/16	3 3/64	13/32	1 1/2	1.469	2 3/8	19/32	0.815	0.437	1.346	1.614	15/32	3/8	0.9
25	7/8	NAU4LKSFL205-14	NAU4LK205-14	130	99	10	27.5	39.8	68	16	23.9	12.8	37.3	44	16	M14	0.6
	15/16	NAU4LKSFL205-15	NAU4LK205-15														
		NAU4LKSFL205	NAU4LK205	5 1/8	3 57/64	13/32	1 3/8	1.567	2 11/16	5/8	0.940	0.503	1.469	1.732	5/8	1/2	1.3
	1	NAU4LKSFL205-16	NAU4LK205-16														
30	1 1/8	NAU4LKSFL206-18	NAU4LK206-18	148	117	10	31	43.2	80	18	25.7	13.3	39.2	50	16	M14	0.9
		NAU4LKSFL206	NAU4LK206														
	1 3/16	NAU4LKSFL206-19	NAU4LK206-19	5 13/16	4 19/32	13/32	1 7/8	1.699	3 3/32	45/64	1.012	0.522	1.543	1.969	5/8	1/2	1.9
	1 1/4	NAU4LKSFL206-20	NAU4LK206-20														
35	1 1/4	NAU4LKSFL207-20	NAU4LK207-20	161	130	11	34	44.4	85	19	29.4	16.7	42.8	57	16	M14	0.9
	1 5/16	NAU4LKSFL207-21	NAU4LK207-21														
	1 3/8	NAU4LKSFL207-22	NAU4LK207-22	6 11/32	5 1/8	7/16	1 11/32	1.748	3 11/32	3/4	1.157	0.657	1.685	2.244	5/8	1/2	2.1
		NAU4LKSFL207	NAU4LK207														
	1 7/16	NAU4LKSFL207-23	NAU4LK207-23														

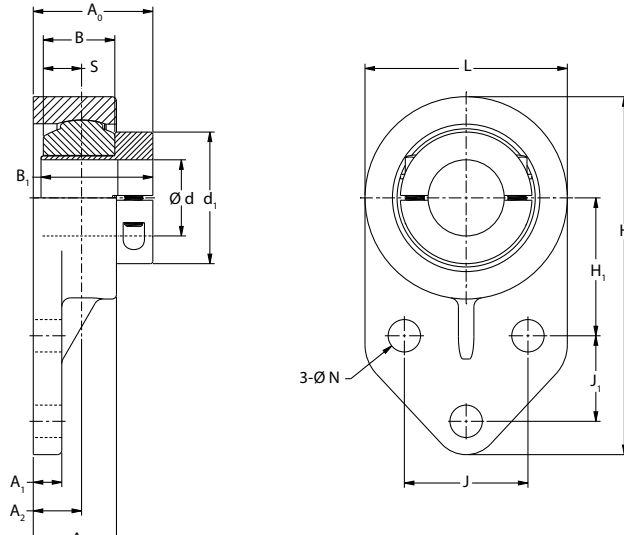
STAINLESS STEEL MOUNTED BEARINGS WITH POLY-ROUND INSERTS

STAINLESS STEEL TWO-BOLT FLANGED MOUNTED BEARINGS



Shaft Dia. d		Two-Bolt Flange Designation	Bearing Designation	Dimensions												Bolt Size	Wt.	
				H	J	A ₁	A	A ₀	L	A ₂	B	S	B ₁	d ₁	N			
mm	in.																	
				mm in.	mm in.	mm in.	mm in.	mm in.	mm in.	mm in.	mm in.	mm in.	mm in.	mm in.	mm in.	mm in.	mm in.	kg lbs.
40	1 ½	NAU4LKSFL208-24	NAU4LK208-24	175 6 7/8	144 5 43/64	12 15/32	36 1 13/32	48.8 1.921	94 3 11/16	21 53/64	34.2 1.345	19.1 0.751	47.6 1.874	60 2.362	16 5/8	M14 1/2	1.2 2.6	
	1 5/16	NAU4LKSFL208-25	NAU4LK208-25															
		NAU4LKSFL208	NAU4LK208															
45	1 5/8	NAU4LKSFL209-26	NAU4LK209-26	188 7 13/32	148 5 53/64	13 1/2	38 1 1/2	53 2.085	100 3 15/16	22 55/64	33.7 1.325	18.6 0.731	50.3 1.980	70 2.756	19 3/4	M16 5/8	1.4 3.2	
	1 11/16	NAU4LKSFL209-27	NAU4LK209-27															
	1 3/4	NAU4LKSFL209-28	NAU4LK209-28															
50	1 7/8	NAU4LKSFL210-30	NAU4LK210-30	197 7 3/4	157 6 3/16	13 1/2	40 1 1/8	53 2.085	106 4 3/16	22 55/64	36.1 1.420	21 0.826	52.7 2.075	76 2.992	19 3/4	M16 5/8	1.7 3.6	
	1 15/16	NAU4LKSFL210-31	NAU4LK210-31															
		NAU4LKSFL210	NAU4LK210															
	2	NAU4LKSFL210-32	NAU4LK210-32															

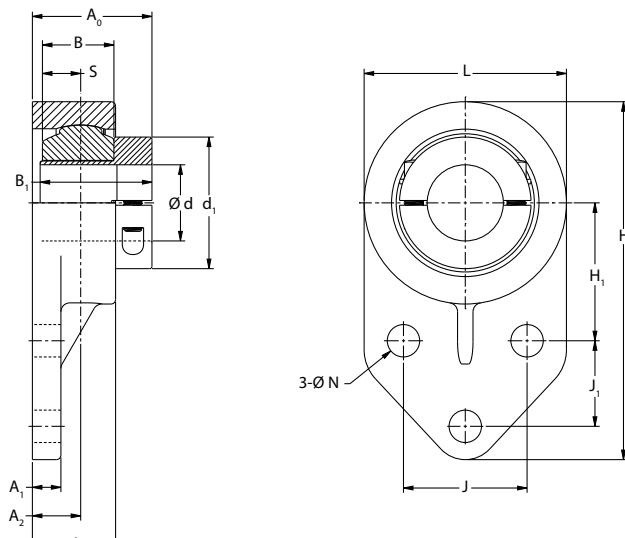
STAINLESS STEEL THREE-BOLT FLANGED MOUNTED BEARINGS



Shaft Dia. d		Three-Bolt Flange Designation	Bearing Designation	Dimensions														Bolt Size	Wt.																
				H	H ₁	J ₁	J	L	A ₁	A ₂	A	A ₀	B	S	B ₁	d ₁	N																		
mm	in.			mm in.	mm in.	mm in.	mm in.	mm in.	mm in.	mm in.	mm in.	mm in.	mm in.	mm in.	mm in.	mm in.	mm in.	mm in.	mm in.																
20	¾	NAU4LKSFB204-12	NAU4LK204-12	106.9	42.9	22.2	38.1	61.5	8.0	15.1	24.1	37.4	20.7	11.1	34.2	41	10.3	M10	0.6																
		NAU4LKSFB204	NAU4LK204	4.210	1.688	0.875	1.500	2.420	0.313	0.594	0.950	1.472	0.815	0.437	1.346	1.614	0.406	⅜	1.4																
25	⅞	NAU4LKSFB205-14	NAU4LK205-14	119.6	46.1	28.6	41.3	67.6	9.5	16.1	24.6	39.9	23.9	12.8	37.3	44	10.3	M10	0.8																
	1⅝	NAU4LKSFB205-15	NAU4LK205-15																																
		NAU4LKSFB205	NAU4LK205																	4.710	1.813	1.125	1.625	2.660	0.375	0.635	0.970	1.571	0.940	0.503	1.469	1.732	0.406	⅜	1.8
30	1	NAU4LKSFB205-16	NAU4LK205-16	136.7	52.3	31.8	47.6	79.4	9.5	16.7	27.1	41.8	25.7	13.3	39.2	50	10.3	M10	1.1																
	1⅜	NAU4LKSFB206-18	NAU4LK206-18																																
		NAU4LKSFB206	NAU4LK206																	5.380	2.060	1.253	1.875	3.125	0.375	0.659	1.067	1.647	1.012	0.522	1.543	1.969	0.406	⅜	2.4
	1⅝	NAU4LKSFB206-19	NAU4LK206-19																																
35	1¾	NAU4LKSFB206-20	NAU4LK206-20	152.4	60.3	31.8	50.8	92.1	12.7	20.1	31.1	45.5	29.4	16.7	42.8	57	13.5	M12	1.7																
		NAU4LKSFB207-20	NAU4LK207-20																																
	1⅞	NAU4LKSFB207-21	NAU4LK207-21																																
		NAU4LKSFB207-22	NAU4LK207-22																	6.000	2.375	1.250	2.000	3.625	0.500	0.792	1.223	1.791	1.157	0.657	1.685	2.244	0.531	½	3.8
	1⅞	NAU4LKSFB207	NAU4LK207																																
	1⅞	NAU4LKSFB207-23	NAU4LK207-23																																

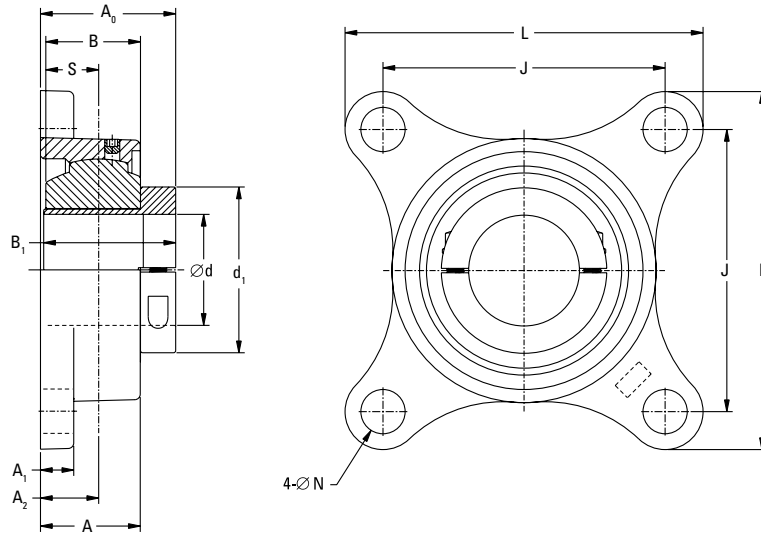
STAINLESS STEEL MOUNTED BEARINGS WITH POLY-ROUND INSERTS

STAINLESS STEEL THREE-BOLT FLANGED MOUNTED BEARINGS



Shaft Dia. d		Three-Bolt Flange Designation	Bearing Designation	Dimensions														Bolt Size	Wt.
				H	H ₁	J ₁	J	L	A ₁	A ₂	A	A ₀	B	S	B ₁	d ₁	N		
mm	in.			mm in.	mm in.	mm in.	mm in.	mm in.	mm in.	mm in.	mm in.	mm in.	mm in.	mm in.	mm in.	mm in.	mm in.	mm in.	mm in.
	1 ½	NAU4LKSFB208-24	NAU4LK208-24	165.1	65.1	34.9	57.2	101.6	12.7	17.5	31.5	47.3	34.2	19.1	47.6	60	13.5	M12	1.9
	1 ¾	NAU4LKSFB208-25	NAU4LK208-25	6.500	2.563	1.375	2.250	4.000	0.500	0.688	1.240	1.862	1.345	0.751	1.874	2.362	0.531	½	4.2
40		NAU4LKSFB208	NAU4LK208																

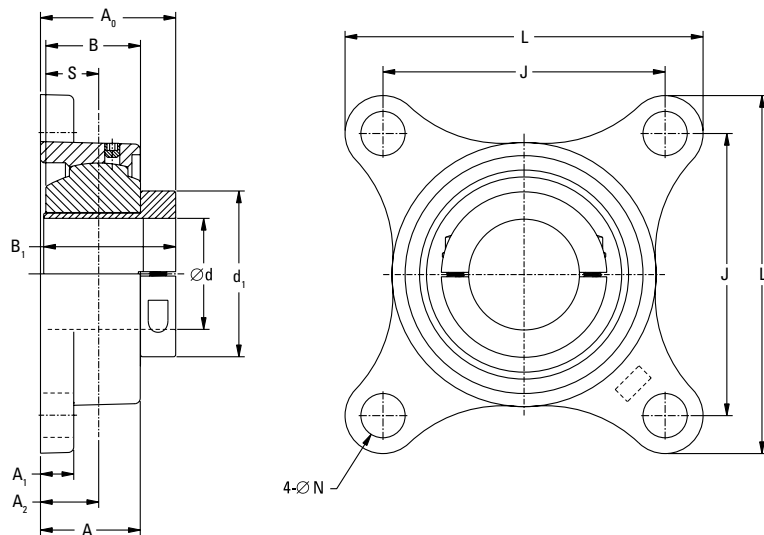
STAINLESS STEEL FOUR-BOLT FLANGED MOUNTED BEARINGS



Shaft Dia. d		Four-Bolt Flange Designation	Bearing Designation	Dimensions											Bolt Size	Wt.
				L	J	A ₁	A ₂	A	A ₀	B	S	B ₁	d ₁	N		
mm	in.															
20	¾	NAU4LKSF204-12	NAU4LK204-12	86	64	10	15	26	37.3	20.7	11.1	34.2	41	12	M10	0.5
		NAU4LKSF204	NAU4LK204	3 ¾	2 ¾ ⁶⁴	1 ³²	1 ¹⁶	1 ½	1.469	0.815	0.437	1.346	1.614	1 ¹⁶	¾	1.0
25	7/8	NAU4LKSF205-14	NAU4LK205-14	95	70	10	16	27.5	39.8	23.9	12.8	37.3	44	12	M10	0.6
	1 ¹⁶	NAU4LKSF205-15	NAU4LK205-15													
		NAU4LKSF205	NAU4LK205													
		NAU4LKSF205-16	NAU4LK205-16													
30	1	NAU4LKSF206-18	NAU4LK206-18	108	83	10	18	31	43.2	25.7	13.3	39.2	50	12	M10	0.9
	1 1/8	NAU4LKSF206-19	NAU4LK206-19													
		NAU4LKSF206-20	NAU4LK206-20													
		NAU4LKSF207-20	NAU4LK207-20													
35	1 1/8	NAU4LKSF207-21	NAU4LK207-21	117	92	11	19	34	44.4	29.4	16.7	42.8	57	14	M12	1.1
	1 1/4	NAU4LKSF207-22	NAU4LK207-22													
		NAU4LKSF207	NAU4LK207													
		NAU4LKSF207-23	NAU4LK207-23													
	1 7/8	NAU4LKSF207-23	NAU4LK207-23													

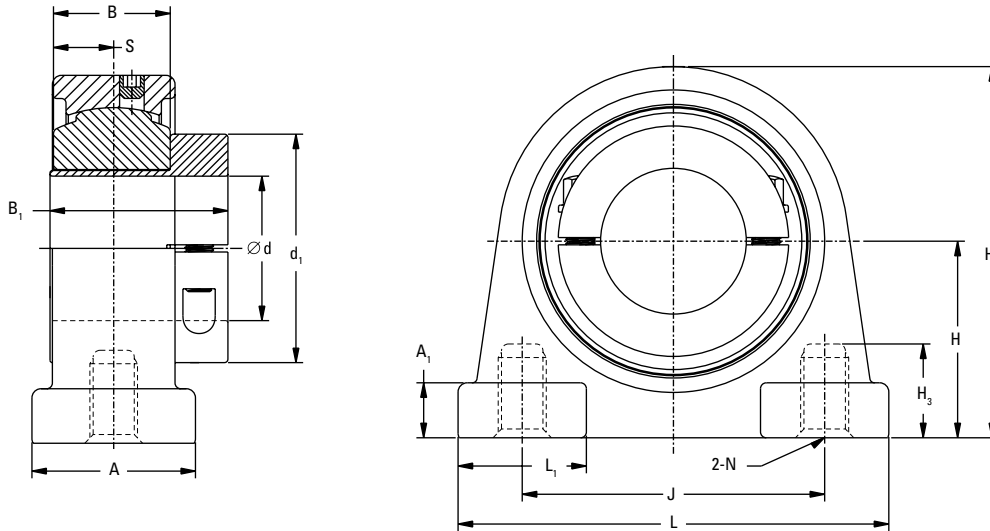
STAINLESS STEEL MOUNTED BEARINGS WITH POLY-ROUND INSERTS

STAINLESS STEEL FOUR-BOLT FLANGED MOUNTED BEARINGS



Shaft Dia. d		Four-Bolt Flange Designation	Bearing Designation	Dimensions											Bolt Size	Wt.													
				L	J	A ₁	A ₂	A	A ₀	B	S	B ₁	d ₁	N															
mm	in.																												
	1 ½	NAU4LKSF208-24	NAU4LK208-24	130	102	12	21	36	48.8	34.2	19.1	47.6	60	16	M14	1.4													
	1 ⅝	NAU4LKSF208-25	NAU4LK208-25														5 ⅞	4 ⅞	1 ⅝	3 ⅞	1 ⅜	1.921	1.345	0.751	1.874	2.362	⅝	½	3.1
40		NAU4LKSF208	NAU4LK208																										
	1 ⅝	NAU4LKSF209-26	NAU4LK209-26	137	105	13	22	38	53	33.7	18.6	50.3	70	16	M14	1.7													
	1 ⅞	NAU4LKSF209-27	NAU4LK209-27														5 ⅞	4 ⅞	½	5 ⅞	1 ½	2.085	1.325	0.731	1.980	2.756	⅝	½	3.8
45		NAU4LKSF209	NAU4LK209																										
	1 ⅞	NAU4LKSF210-30	NAU4LK210-30	143	111	13	22	40	53	36.1	21	52.7	76	16	M14	1.9													
	1 ⅞	NAU4LKSF210-31	NAU4LK210-31														5 ⅞	4 ⅞	½	5 ⅞	1 ⅞	2.085	1.420	0.826	2.075	2.992	⅝	½	4.1
50		NAU4LKSF210	NAU4LK210																										
	2	NAU4LKSF210-32	NAU4LK210-32																										

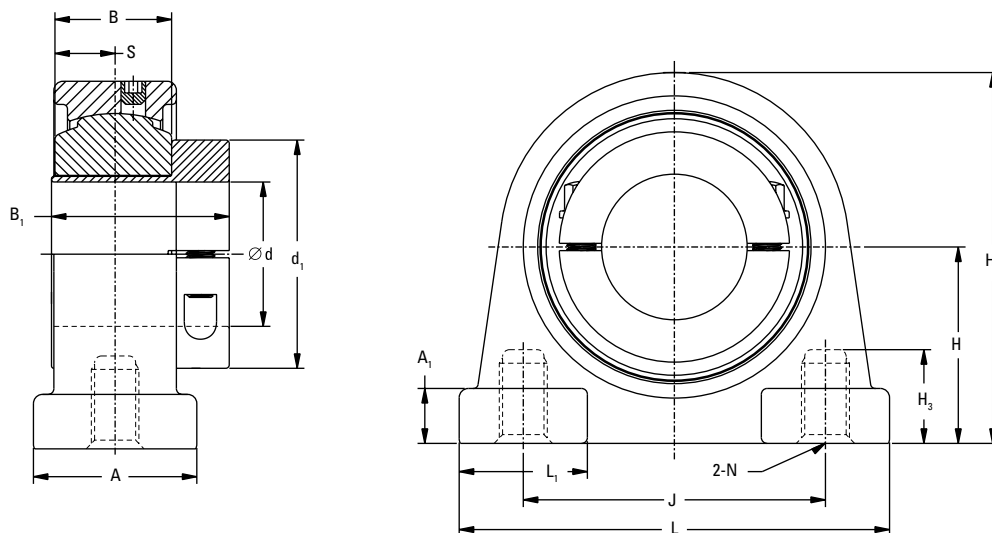
STAINLESS STEEL TAPPED-BASE MOUNTED BEARINGS



Shaft Dia. d		Tapped Base Pillow Block Designation	Poly-Round Insert Designation	Dimensions													Wt.																	
				H	L	A	J	N	H ₁	H ₂	H ₃	L ₁	B	S	B ₁	d ₁																		
mm	in.																	kg	lbs.															
20	¾	NAU4LKSTB204-12	NAU4LK204-12	30.2	76	30	52	M10x1.5	10	60	18	22	20.7	11.1	34.2	41	0.4																	
		NAU4LKSTB204	NAU4LK204	1 ¾	3	1 ¾	2 ¾		1 ½	2 ¾	¼	¾	⅞	0.815	0.437	1.346	1.614	1.0																
25	⅞	NAU4LKSTB205-14	NAU4LK205-14	36.5	84	30	56	M10x1.5	12	69	18	24	23.9	12.8	37.3	44	0.6																	
	1 ⅛	NAU4LKSTB205-15	NAU4LK205-15															1 ⅞	3 ⅝	1 ¾	2 ⅝	1 ½	2 ⅝	¼	⅞	0.940	0.503	1.469	1.732	1.3				
		NAU4LKSTB205	NAU4LK205																															
30	1	NAU4LKSTB205-16	NAU4LK205-16	42.9	94	36	66	M14x2.0	12	81	24	28	25.7	13.3	39.2	50	0.9																	
	1 ⅛	NAU4LKSTB206-18	NAU4LK206-18															1 ⅞	3 ⅞	1 ¾	2 ⅝	1 ½	2 ⅝	¼	⅞	0.940	0.503	1.469	1.732	1.3				
		NAU4LKSTB206	NAU4LK206																															
	1 ¾	NAU4LKSTB206-19	NAU4LK206-19															1 ⅞	3 ⅞	1 ¾	2 ⅝	1 ½	2 ⅝	¼	⅞	0.940	0.503	1.469	1.732	1.3				
35	1 ¼	NAU4LKSTB206-20	NAU4LK206-20	47.6	110	38	80	M14x2.0	13	91	27	30	29.4	16.7	42.8	57	1.2																	
	1 ½	NAU4LKSTB207-20	NAU4LK207-20															1 ⅞	3 ⅞	1 ¾	2 ⅝	1 ½	2 ⅝	¼	⅞	0.940	0.503	1.469	1.732	1.3				
		NAU4LKSTB207-21	NAU4LK207-21																															
	1 ¾	NAU4LKSTB207-22	NAU4LK207-22															1 ⅞	3 ⅞	1 ¾	2 ⅝	1 ½	2 ⅝	¼	⅞	0.940	0.503	1.469	1.732	1.3				
		NAU4LKSTB207	NAU4LK207																															
	1 ⅞	NAU4LKSTB207-23	NAU4LK207-23															1 ⅞	4 ⅞	1 ½	3 ⅝	1 ½	3 ⅝	½	3 ⅞	1 ⅞	1 ⅞	1.157	0.657	1.685	2.244	2.7		

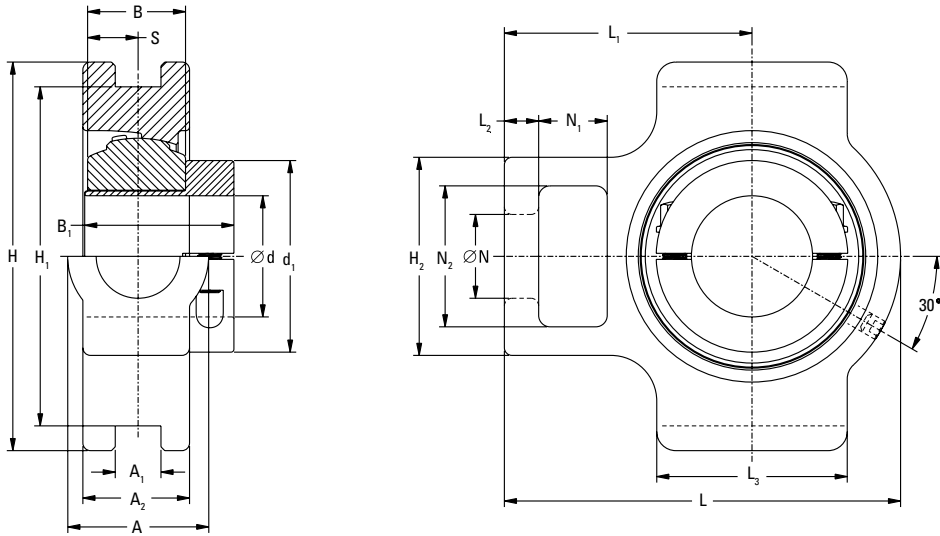
STAINLESS STEEL MOUNTED BEARINGS WITH POLY-ROUND INSERTS

STAINLESS STEEL TAPPED-BASE MOUNTED BEARINGS



Shaft Dia. d		Tapped Base Pillow Block Designation	Poly-Round Insert Designation	Dimensions													Wt.	
				H	L	A	J	N	H ₁	H ₂	H ₃	L ₁	B	S	B ₁	d ₁		
mm	in.			mm in.	mm in.	mm in.	mm in.	mm in.	mm in.	mm in.	mm in.	mm in.	mm in.	mm in.	mm in.	mm in.	kg lbs.	
40	1 ½	NAU4LKSTB208-24	NAU4LK208-24	49.2 1 15/16	116 4 5/16	40 1 1/16	84 3 3/16	M14x2.0	13 ½	97 3 13/16	27 1 1/16	32 1 ¼	34.2 1.345	19.1 0.751	47.6 1.874	60 2.362	1.4 3.1	
	1 5/16	NAU4LKSTB208-25	NAU4LK208-25															
		NAU4LKSTB208	NAU4LK208															
45	1 5/8	NAU4LKSTB209-26	NAU4LK209-26	54.2	120 4 23/32	40 1 1/16	90 3 39/64	M14x2.0	13 ½	104 4 3/32	31 1 7/32	32 1 ¼	33.7 1.325	18.6 0.731	50.3 1.980	70 2.756	1.7 3.7	
	1 11/16	NAU4LKSTB209-27	NAU4LK209-27															
	1 3/4	NAU4LKSTB209-28	NAU4LK209-28															
50		NAU4LKSTB209	NAU4LK209	57.2 2 ¼	130 5 1/8	45 1 25/32	94 3 45/64	M16x2.0	14 5/16	111 4 3/8	31 1 7/32	36 1 27/64	36.1 1.420	21 0.826	52.7 2.075	76 2.992	2.0 4.5	
	1 7/8	NAU4LKSTB210-30	NAU4LK210-30															
	1 15/16	NAU4LKSTB210-31	NAU4LK210-31															
		NAU4LKSTB210	NAU4LK210															
	2	NAU4LKSTB210-32	NAU4LK210-32															

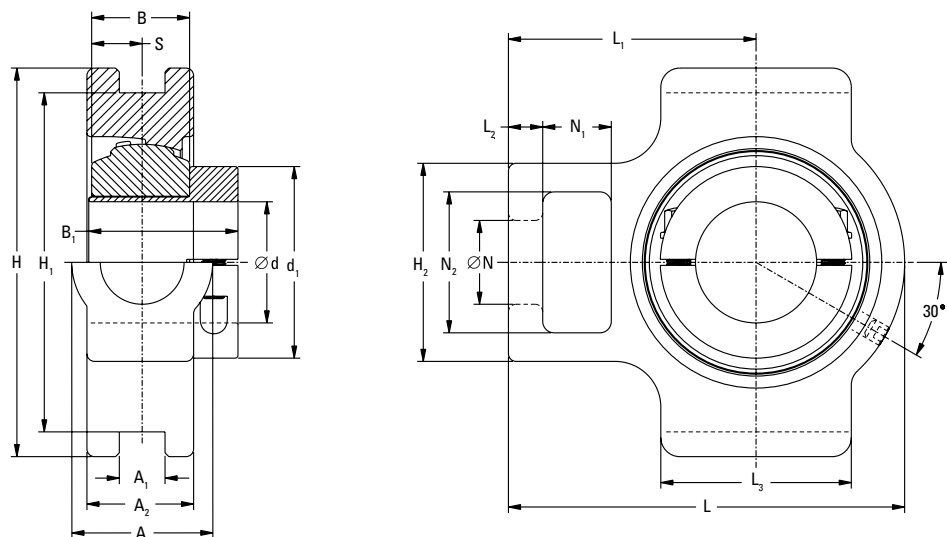
STAINLESS STEEL TAKE-UP MOUNTED BEARINGS



Shaft Dia. d	Take-Up Unit Designation	Poly-Round Insert Designation	Dimensions																	Wt.		
			H	H ₁	L ₂	L ₁	A ₂	A	N	L	H ₂	B	S	B ₁	d ₁	L ₃	N ₁	N ₂	A ₁			
mm	in.		mm	mm	mm	mm	mm	mm	mm	mm	mm	mm	mm	mm	mm	mm	mm	mm	mm	mm	mm	kg
			in.	in.	in.	in.	in.	in.	in.	in.	in.	in.	in.	in.	in.	in.	in.	in.	in.	in.	in.	lbs.
20	¾	NAU4LKST204-12	NAU4LK204-12	89	76	9	59	23	32	19	89	46	20.7	11.1	34.2	41	44	18	32	12	0.7	
		NAU4LKST204	NAU4LK204	3 ½	2 ⅞/64	⅜	2 ⅜	29/32	1 ¼	¾	3 ½	1 13/16	0.815	0.437	1.346	1.614	1 23/32	23/32	1 ¼	1 5/32	1.5	
25	7/8	NAU4LKST205-14	NAU4LK205-14	89	76	9	60	25	32	19	93	46	23.9	12.8	37.3	44	44	18	32	12	0.7	
	1 5/16	NAU4LKST205-15	NAU4LK205-15																			3 ½
30	1	NAU4LKST205-16	NAU4LK205-16	102	89	9	67	27	37	22	106	52	25.7	13.3	39.2	50	50	18	37	12	1.0	
	1 1/8	NAU4LKST206-18	NAU4LK206-18																			4 ½
35	1 1/8	NAU4LKST206-19	NAU4LK206-19	102	89	11	75	31	37	22	119	56	29.4	16.7	42.8	57	56	18	37	12	1.3	
	1 ¼	NAU4LKST206-20	NAU4LK206-20																			4 ½
35	1 ¼	NAU4LKST207-20	NAU4LK207-20	102	89	11	75	31	37	22	119	56	29.4	16.7	42.8	57	56	18	37	12	1.3	
	1 5/16	NAU4LKST207-21	NAU4LK207-21																			4 ½
35	1 5/16	NAU4LKST207-21	NAU4LK207-21	102	89	11	75	31	37	22	119	56	29.4	16.7	42.8	57	56	18	37	12	1.3	
	1 ¾	NAU4LKST207-22	NAU4LK207-22																			4 ½
35	1 ¾	NAU4LKST207-22	NAU4LK207-22	102	89	11	75	31	37	22	119	56	29.4	16.7	42.8	57	56	18	37	12	1.3	
	1 7/8	NAU4LKST207-23	NAU4LK207-23																			4 ½

STAINLESS STEEL MOUNTED BEARINGS WITH POLY-ROUND INSERTS

STAINLESS STEEL TAKE-UP MOUNTED BEARINGS



Shaft Dia. d	Take-Up Unit Designation	Poly-Round Insert Designation	Dimensions																	Wt.	
			H	H ₁	L ₂	L ₁	A ₂	A	N	L	H ₂	B	S	B ₁	d ₁	L ₃	N ₁	N ₂	A ₁		
mm in.			mm in.	mm in.	mm in.	mm in.	mm in.	mm in.	mm in.	mm in.	mm in.	mm in.	mm in.	mm in.	mm in.	mm in.	mm in.	mm in.	mm in.	mm in.	kg lbs.
40	1 1/2	NAU4LKST208-24	NAU4LK208-24	114	102	14	85	32	49	29	135	74	34.2	19.1	47.6	60	64	20	49	16	1.8
	1 5/8	NAU4LKST208-25	NAU4LK208-25	4 1/2	4 1/2	9/16	3 11/32	1 1/4	1 15/16	1 5/32	5 5/16	2 29/32	1.345	0.751	1.874	2.362	2 17/32	25/32	1 15/16	5/8	4.0
		NAU4LKST208	NAU4LK208																		
45	1 5/8	NAU4LKST209-26	NAU4LK209-26	117	102	14	85	34	49	29	137	74	33.7	18.6	50.3	70	66	20	49	16	1.9
	1 11/16	NAU4LKST209-27	NAU4LK209-27	4 19/32	4 1/2	9/16	3 11/32	1 11/32	1 15/16	1 5/32	5 13/32	2 29/32	1.325	0.731	1.980	2.756	2 19/32	25/32	1 15/16	5/8	4.3
	1 3/4	NAU4LKST209-28	NAU4LK209-28																		
50	1 7/8	NAU4LKST210-30	NAU4LK210-30	117	102	14	87	35	49	29	143	74	36.1	21	52.7	76	72	20	49	16	2.1
	1 15/16	NAU4LKST210-31	NAU4LK210-31	4 19/32	4 1/2	9/16	3 7/16	1 3/8	1 15/16	1 5/32	5 5/8	2 29/32	1.420	0.826	2.075	2.992	2 27/32	25/32	1 15/16	5/8	4.5
	2	NAU4LKST210-32	NAU4LK210-32																		

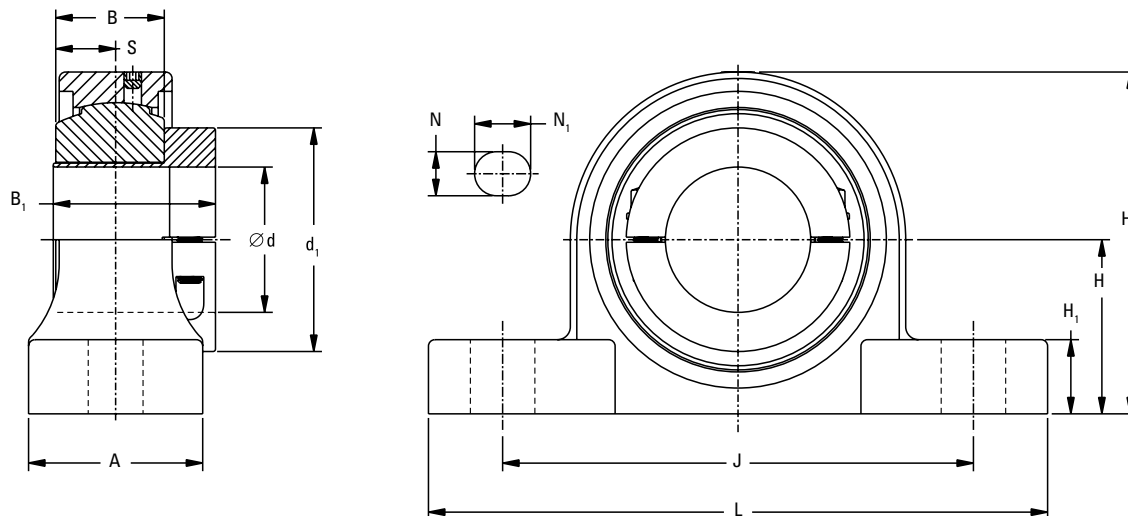


***WHITE POLYMER
(THERMOPLASTIC)
MOUNTED BEARINGS WITH
POLY-ROUND INSERTS***

The following topics are covered within this section:

Polymer Two-Bolt Pillow Block Mounted Bearings	30
Polymer Two-Bolt Flanged Mounted Bearings	32
Polymer Three-Bolt Flanged Mounted Bearings	34
Polymer Four-Bolt Flanged Mounted Bearings	36

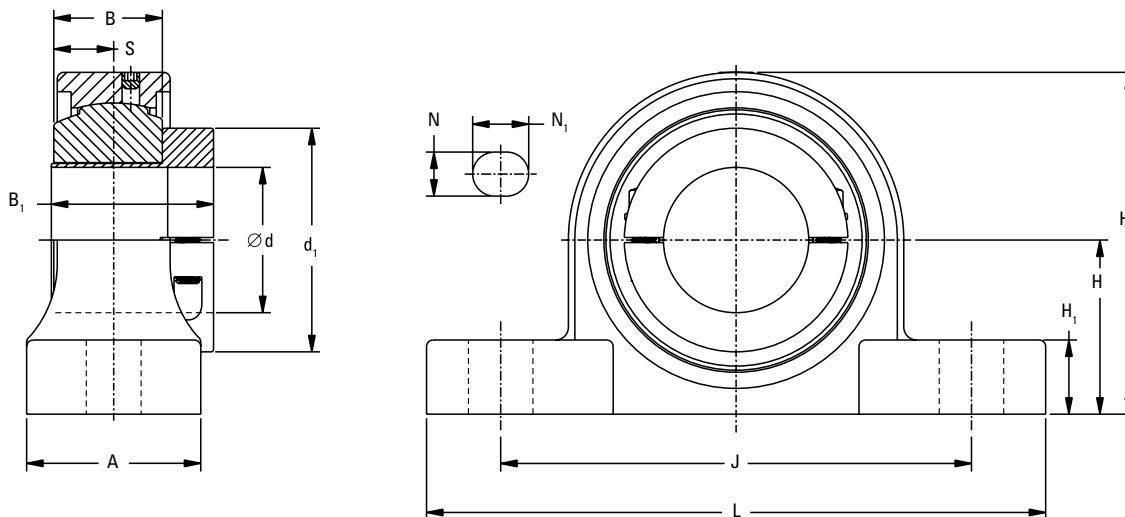
POLYMER TWO-BOLT PILLOW BLOCK MOUNTED BEARINGS



Shaft Dia. d		Pillow Block Designation	Poly-Round Insert Designation	Dimensions												Bolt Size	Wt.	
				H	L	A	H ₁	J	H ₂	B	S	B ₁	d ₁	N	N ₁			
mm	in.			mm in.	mm in.	mm in.	mm in.	mm in.	mm in.	mm in.	mm in.	mm in.	mm in.	mm in.	mm in.	mm in.	kg lbs.	
20	¾	NAU4LKPLP204-12	NAU4LK204-12	33.3	127	38	14.2	95	65.5	20.7	11.1	34.2	41	11	14	M10	0.3	
		NAU4LKPLP204	NAU4LK204	1 ⅜	5	1 ½	⅝	3 ¾	2 ⅞	0.815	0.437	1.346	1.614	⅞	⅞	⅜	0.6	
25	⅞	NAU4LKPLP205-14	NAU4LK205-14	36.5	140.5	38	16	105	71	23.9	12.8	37.3	44	11	14	M10	0.3	
	1 ⅛	NAU4LKPLP205-15	NAU4LK205-15															
		NAU4LKPLP205	NAU4LK205															1 ⅞
	1	NAU4LKPLP205-16	NAU4LK205-16															
30	1 ⅛	NAU4LKPLP206-18	NAU4LK206-18	42.9	163	46	17.8	119	84	25.7	13.3	39.2	50	14	18	M12	0.5	
		NAU4LKPLP206	NAU4LK206															
	1 ⅜	NAU4LKPLP206-19	NAU4LK206-19															1 ⅞
	1 ¼	NAU4LKPLP206-20	NAU4LK206-20															
	1 ¼	NAU4LKPLP207-20	NAU4LK207-20															
	1 ⅝	NAU4LKPLP207-21	NAU4LK207-21	47.6	168	48	18	127	94.5	29.4	16.7	42.8	57	14	18	M12	0.6	
	1 ⅝	NAU4LKPLP207-21	NAU4LK207-21															
	1 ⅝	NAU4LKPLP207-22	NAU4LK207-22															1 ⅞
35	1 ⅝	NAU4LKPLP207-22	NAU4LK207-22															
		NAU4LKPLP207	NAU4LK207															
	1 ⅞	NAU4LKPLP207-23	NAU4LK207-23															

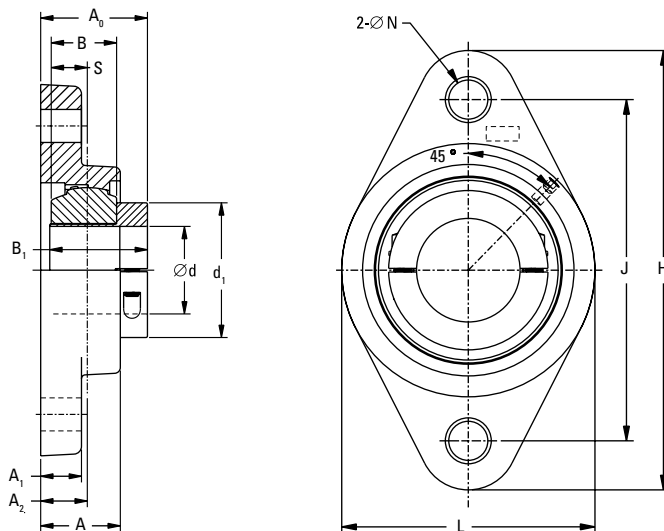
WHITE POLYMER (THERMOPLASTIC) MOUNTED BEARINGS WITH POLY-ROUND INSERTS

POLYMER TWO-BOLT PILLOW BLOCK MOUNTED BEARINGS



Shaft Dia. d		Pillow Block Designation	Poly-Round Insert Designation	Dimensions												Bolt Size	Wt.														
				H	L	A	H ₁	J	H ₂	B	S	B ₁	d ₁	N	N ₁																
mm	in.																														
40	1 ½	NAU4LKPLP208-24	NAU4LK208-24	49.2	184	54	19.5	137	101	34.2	19.1	47.6	60	14	18	M14	0.8														
	1 ⅝	NAU4LKPLP208-25	NAU4LK208-25															1 15/16	7 ¼	2 ⅞	25/32	5 13/32	3 31/32	1.345	0.751	1.874	2.362	9/16	23/32	5/8	1.7
		NAU4LKPLP208	NAU4LK208																												
45	1 ⅝	NAU4LKPLP209-26	NAU4LK209-26	54	192	54	23	146	106	33.7	18.6	50.3	70	17	20	M14	0.9														
	1 11/16	NAU4LKPLP209-27	NAU4LK209-27															2 1/8	7 9/16	2 1/8	29/32	5 3/4	4 3/16	1.325	0.732	1.980	2.756	43/64	25/32	5/8	2.0
	1 ¾	NAU4LKPLP209-28	NAU4LK209-28																												
50	1 7/8	NAU4LKPLP210-30	NAU4LK210-30	57.2	206	60	23	159	114	36.1	21	52.7	76	17	20	M14	1.1														
	1 15/16	NAU4LKPLP210-31	NAU4LK210-31															2 ¼	8 1/8	2 3/8	29/32	6 ¼	4 1/2	1.420	0.826	2.075	2.992	43/64	25/32	5/8	2.4
	2	NAU4LKPLP210-32	NAU4LK210-32																												

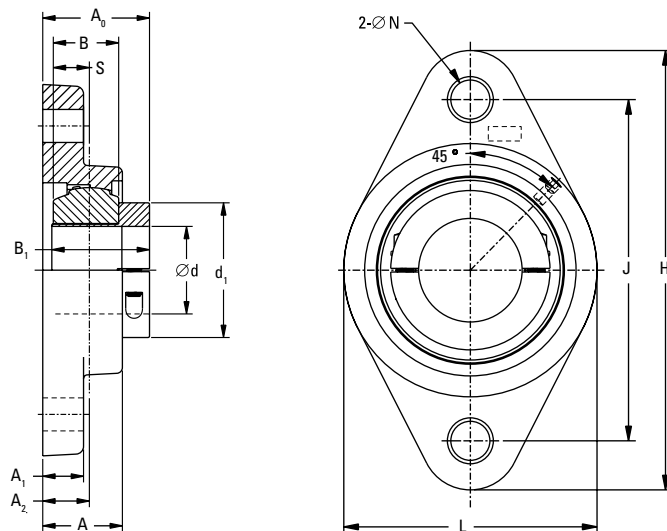
POLYMER TWO-BOLT FLANGED MOUNTED BEARINGS



Shaft Dia. d		Two-Bolt Flange Designation	Poly-Round Insert Designation	Dimensions												Bolt Size	Wt.														
				H	J	A ₁	A	A ₀	L	A ₂	B	S	B ₁	d ₁	N																
mm	in.																														
20	3/4	NAU4LKPLFL204-12	NAU4LK204-12	113	90	13.4	27	37.3	65	15	20.7	11.1	34.2	41	11	M8	0.2														
		NAU4LKPLFL204	NAU4LK204	4 7/16	3 3/64	17/32	1 1/16	1.469	2 9/16	1 1/2	0.815	0.437	1.346	1.614	7/16	3/8	0.5														
25	7/8	NAU4LKPLFL205-14	NAU4LK205-14	131	99	13.8	28.2	39.8	70	16	23.9	12.8	37.3	44	11	M8	0.3														
	1 1/16	NAU4LKPLFL205-15	NAU4LK205-15																												
		NAU4LKPLFL205	NAU4LK205															5 1/2	3 5/64	17/32	1 7/64	1.567	2 3/4	5/8	0.940	0.503	1.469	1.732	7/16	3/8	0.6
30	1	NAU4LKPLFL205-16	NAU4LK205-16	148	117	14.3	31	43.2	80	18	25.7	13.3	39.2	50	11	M8	0.4														
	1 1/8	NAU4LKPLFL206-18	NAU4LK206-18																												
		NAU4LKPLFL206	NAU4LK206															5 13/16	4 3/64	9/16	1 7/32	1.699	3 1/2	45/64	1.012	0.522	1.543	1.969	7/16	3/8	0.9
	1 3/8	NAU4LKPLFL206-19	NAU4LK206-19																												
35	1 1/4	NAU4LKPLFL206-20	NAU4LK206-20	164	130	15.5	32.7	44.4	90	19	29.4	16.7	42.8	57	13	M10	0.5														
	1 1/2	NAU4LKPLFL207-20	NAU4LK207-20																												
		NAU4LKPLFL207-21	NAU4LK207-21																												
	1 3/8	NAU4LKPLFL207-22	NAU4LK207-22															6 1/2	5 1/8	5/8	1 1/2	1.748	3 17/32	3/4	1.157	0.657	1.685	2.244	33/64	7/16	1.2
	1 7/8	NAU4LKPLFL207-23	NAU4LK207-23																												

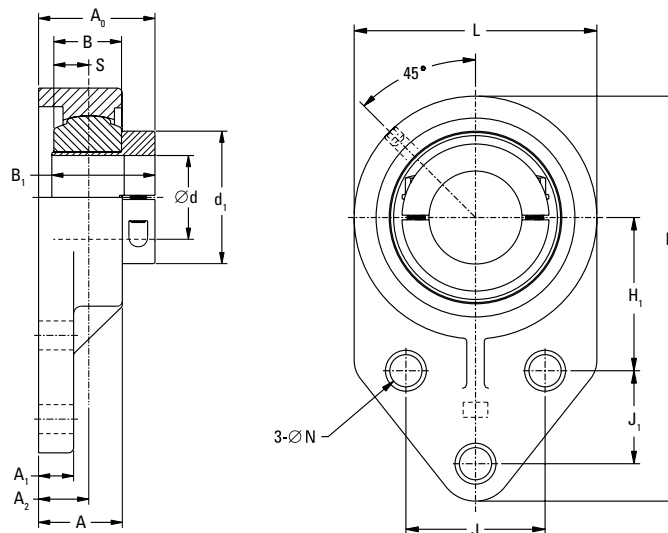
WHITE POLYMER (THERMOPLASTIC) MOUNTED BEARINGS WITH POLY-ROUND INSERTS

POLYMER TWO-BOLT FLANGED MOUNTED BEARINGS



Shaft Dia. d		Two-Bolt Flange Designation	Poly-Round Insert Designation	Dimensions												Bolt Size	Wt.
				H	J	A ₁	A	A ₀	L	A ₂	B	S	B ₁	d ₁	N		
mm	in.			mm in.	mm in.	mm in.	mm in.	mm in.	mm in.	mm in.	mm in.	mm in.	mm in.	mm in.	mm in.	mm in.	mm in.
40	1 ½	NAU4LKPLFL208-24	NAU4LK208-24	176	144	16.5	35.2	48.8	100	21	34.2	19.1	47.6	60	14	M12	0.7
	1 ¾	NAU4LKPLFL208-25	NAU4LK208-25	6 15/16	5 43/64	2 1/32	1 25/64	1.921	3 15/16	53/64	1.345	0.751	1.874	2.362	35/64	½	1.5
		NAU4LKPLFL208	NAU4LK208														
45	1 5/8	NAU4LKPLFL209-26	NAU4LK209-26	189	148.5	21	41	55	108	24	33.7	18.6	50.3	70	17	M14	0.8
	1 11/16	NAU4LKPLFL209-27	NAU4LK209-27	7 7/16	5 27/32	53/64	1 39/64	2.164	4 1/4	61/64	1.325	0.731	1.980	2.756	43/64	½	1.9
	1 ¾	NAU4LKPLFL209-28	NAU4LK209-28														
50	1 7/8	NAU4LKPLFL210-30	NAU4LK210-30	197	157	21	43	56	115	25	36.1	21	52.7	76	17	M14	1.0
	1 15/16	NAU4LKPLFL210-31	NAU4LK210-31	7 3/4	6 3/16	53/64	1 11/16	2.203	4 17/32	63/64	1.420	0.826	2.075	2.992	43/64	½	2.1
	2	NAU4LKPLFL210-32	NAU4LK210-32														

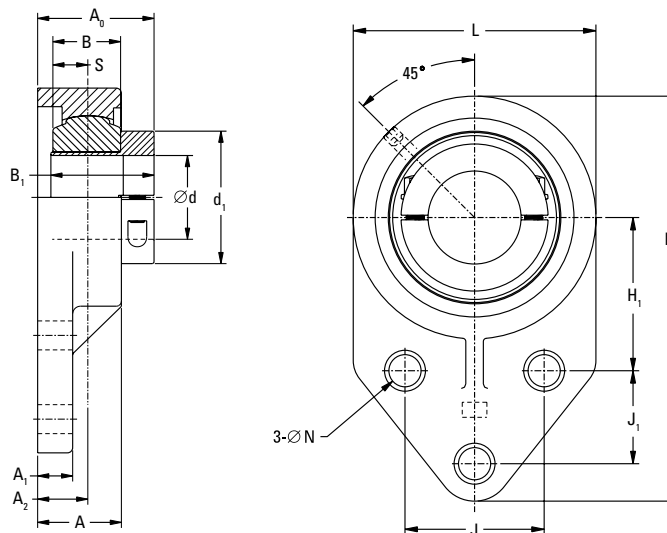
POLYMER THREE-BOLT FLANGED MOUNTED BEARINGS



Shaft Dia. d		Three-Bolt Flange Designation	Poly-Round Insert Designation	Dimensions														Bolt Size	Wt.
				H	H ₁	J ₁	J	L	A	A ₂	A ₀	A ₁	B	S	B ₁	d ₁	N		
mm	in.			mm in.	mm in.	mm in.	mm in.	mm in.	mm in.	mm in.	mm in.	mm in.	mm in.	mm in.	mm in.	mm in.	mm in.	mm in.	kg lbs
20	¾	NAU4LKPLFB204-12	NAU4LK204-12	108	42.9	22.2	38.1	63.5	26.1	15.4	37.7	11.4	20.7	11.1	34.2	41	11	M10	0.2
		NAU4LKPLFB204	NAU4LK204	4 ¼	1 11/16	7/8	1 ½	2 ½	1 ½	39/64	1.484	7/16	0.815	0.437	1.346	1.614	7/16	3/8	0.5
25	7/8	NAU4LKPLFB205-14	NAU4LK205-14																
	1 1/16	NAU4LKPLFB205-15	NAU4LK205-15	121	46	28.6	41.3	70	34.1	21.5	45.3	11.4	23.9	12.8	37.3	44	11	M10	0.3
		NAU4LKPLFB205	NAU4LK205	4 ¾	1 13/16	1 1/8	1 5/8	2 ¾	1 11/32	27/32	1.783	7/16	0.940	0.503	1.469	1.732	7/16	3/8	0.7
	1	NAU4LKPLFB205-16	NAU4LK205-16																
30	1 1/8	NAU4LKPLFB206-18	NAU4LK206-18																
		NAU4LKPLFB206	NAU4LK206	138.5	52.4	31.8	47.6	83	32.3	19.3	44.5	13.3	25.7	13.3	39.2	50	11	M10	0.4
	1 3/16	NAU4LKPLFB206-19	NAU4LK206-19	5 29/64	2 1/16	1 1/4	1 7/8	3 1/4	1 9/32	49/64	1.750	17/32	1.012	0.522	1.543	1.969	7/16	3/8	1.0
	1 ¼	NAU4LKPLFB206-20	NAU4LK206-20																

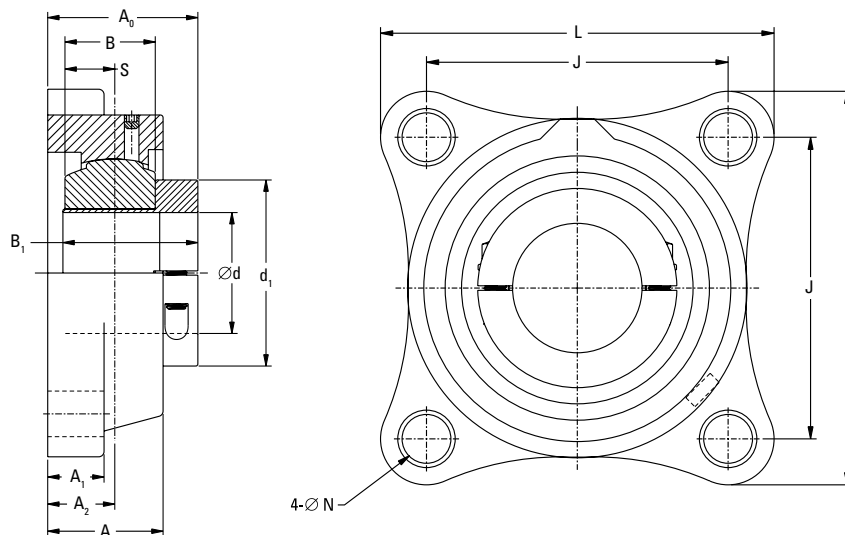
WHITE POLYMER (THERMOPLASTIC) MOUNTED BEARINGS WITH POLY-ROUND INSERTS

POLYMER THREE-BOLT FLANGED MOUNTED BEARINGS



Shaft Dia. d	Three-Bolt Flange Designation	Poly-Round Insert Designation	Dimensions														Bolt Size	Wt.			
			H	H ₁	J ₁	J	L	A	A ₂	A ₀	A ₁	B	S	B ₁	d ₁	N					
mm	in.		mm	mm	mm	mm	mm	mm	mm	mm	mm	mm	mm	mm	mm	mm	mm	mm	mm	kg	lbs
1 ¼	NAU4LKPLFB207-20	NAU4LK207-20																			
1 ⅝	NAU4LKPLFB207-21	NAU4LK207-21																			
1 ¾	NAU4LKPLFB207-22	NAU4LK207-22	157	60.3	31.8	50.8	95	36.5	21.7	47.1	16	29.4	16.7	42.8	57	13	M12	0.6			
35	NAU4LKPLFB207	NAU4LK207	6 ¾	2 ¾	1 ¼	2	3 ¾	1 7/16	27/32	1.854	5/8	1.157	0.657	1.685	2.244	33/64	½	1.4			
1 7/8	NAU4LKPLFB207-23	NAU4LK207-23																			

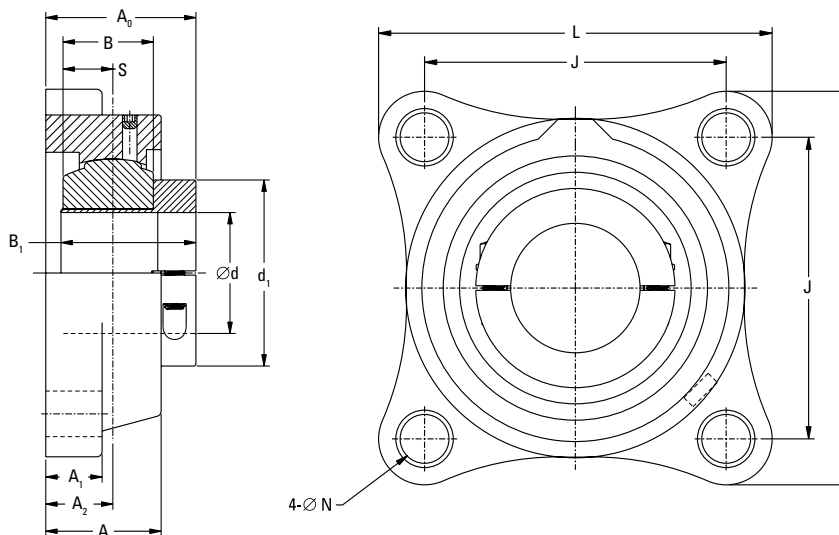
POLYMER FOUR-BOLT FLANGED MOUNTED BEARINGS



Shaft Dia. d		Four-Bolt Flange Designation	Poly-Round Insert Designation	Dimensions											Bolt Size	Wt.
				L	J	A	A_1	A_2	A_0	B	S	B_1	d_1	N		
mm	in.			mm in.	mm in.	mm in.	mm in.	mm in.	mm in.	mm in.	mm in.	mm in.	mm in.	mm in.	mm in.	kg lbs
20	3/4	NAU4LKPLF204-12	NAU4LK204-12	86	63.5	28.5	13.4	18	40.3	20.7	11.1	34.2	41	11	M10	0.2
		NAU4LKPLF204	NAU4LK204	3 3/8	2 1/2	1 1/8	17/32	45/64	1.587	0.815	0.437	1.346	1.614	7/16	3/8	0.5
25	7/8	NAU4LKPLF205-14	NAU4LK205-14	95	70	29.2	15.5	17	40.8	23.9	12.8	37.3	44	11	M10	0.3
	15/16	NAU4LKPLF205-15	NAU4LK205-15													
		NAU4LKPLF205	NAU4LK205													
		NAU4LKPLF205-16	NAU4LK205-16													
30	1 1/8	NAU4LKPLF206-18	NAU4LK206-18	107	83	32.2	14.5	19.2	44.3	25.7	13.3	39.2	50	11	M10	0.5
		NAU4LKPLF206	NAU4LK206													
	1 3/16	NAU4LKPLF206-19	NAU4LK206-19													
	1 1/4	NAU4LKPLF206-20	NAU4LK206-20													
35	1 1/4	NAU4LKPLF207-20	NAU4LK207-20	118	92	35.2	15.5	21.5	46.9	29.4	16.7	42.8	57	13	M12	0.6
	1 5/16	NAU4LKPLF207-21	NAU4LK207-21													
	1 3/8	NAU4LKPLF207-22	NAU4LK207-22													
		NAU4LKPLF207	NAU4LK207													
	1 7/16	NAU4LKPLF207-23	NAU4LK207-23													

WHITE POLYMER (THERMOPLASTIC) MOUNTED BEARINGS WITH POLY-ROUND INSERTS

POLYMER FOUR-BOLT FLANGED MOUNTED BEARINGS



Shaft Dia. d		Four-Bolt Flange Designation	Poly-Round Insert Designation	Dimensions											Bolt Size	Wt.
				L	J	A	A ₁	A ₂	A ₀	B	S	B ₁	d ₁	N		
mm	in.			mm in.	mm in.	mm in.	mm in.	mm in.	mm in.	mm in.	mm in.	mm in.	mm in.	mm in.	mm in.	kg lbs
40	1 ½	NAU4LKPLF208-24	NAU4LK208-24	130 5 ⅞	102 4 ¼	37.2 1 ½ ⁵ / ₃₂	17 ⅔ ¹ / ₃₂	23 ⅔ ¹ / ₃₂	50.8 2.000	34.2 1.345	19.1 0.751	47.6 1.874	60 2.362	14 ⅝ ³ / ₆₄	M12 ½	0.8 1.7
	1 ⅝	NAU4LKPLF208-25	NAU4LK208-25													
		NAU4LKPLF208	NAU4LK208													
45	1 ⅝	NAU4LKPLF209-26	NAU4LK209-26	137 5 ⅜ ¹ / ₂	105 4 ¼	41 1 ⅜ ³ / ₆₄	19 ¾	24 ⅞ ⁶ / ₆₄	55 2.164	33.7 1.325	18.6 0.731	50.3 1.980	70 2.756	17 ⅜ ⁴ / ₆₄	M14 ½	0.9 2.0
	1 ⅞	NAU4LKPLF209-27	NAU4LK209-27													
		NAU4LKPLF209-28	NAU4LK209-28													
50	1 ¾	NAU4LKPLF209-28	NAU4LK209-28	143 5 ⅝	111 4 ⅜	43 1 ⅞ ¹ / ₆	21 ⅝ ⁵ / ₆₄	25 ⅞ ⁶ / ₆₄	56 2.203	36.1 1.420	21.0 0.826	52.7 2.075	76 2.992	17 ⅜ ⁴ / ₆₄	M14 ½	1.0 2.2
	1 ⅞	NAU4LKPLF210-30	NAU4LK210-30													
		NAU4LKPLF210-31	NAU4LK210-31													
	2	NAU4LKPLF210-32	NAU4LK210-32													

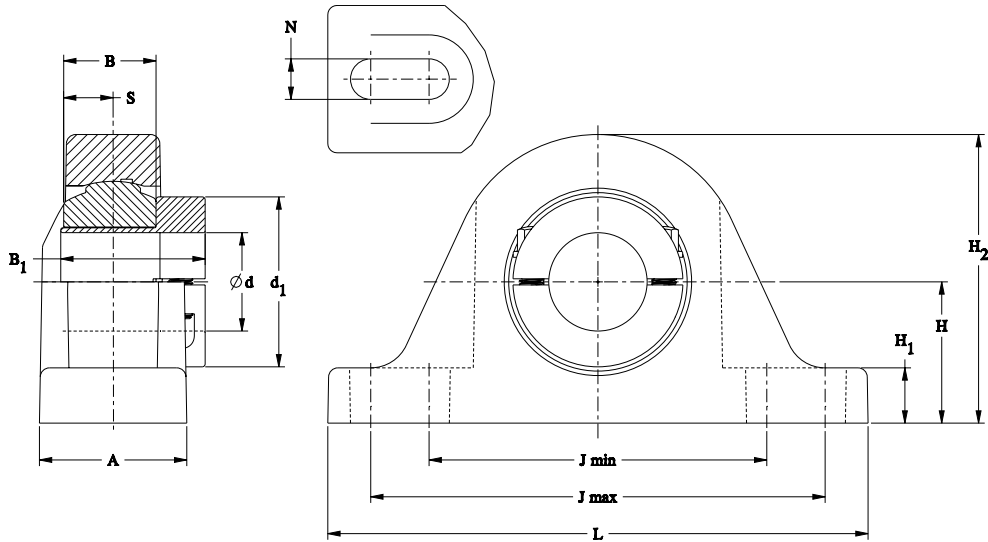


***HYGIENIC BLUE POLYMER
(THERMOSET) MOUNTED
BEARINGS
WITH POLY-ROUND INSERTS***

The following topics are covered within this section:

Polymer Two-Bolt Pillow Block Mounted Bearings	40
Polymer Two-Bolt Flanged Mounted Bearings	42
Polymer Three-Bolt Flanged Mounted Bearings	44
Polymer Four-Bolt Flanged Mounted Bearings	46
Polymer Tapped-Base (Imperial Thread) Mounted Bearings . .	48
Polymer Tapped-Base (Metric Thread) Mounted Bearings . .	50
Polymer Wide Slot Take-Up Mounted Bearings	52

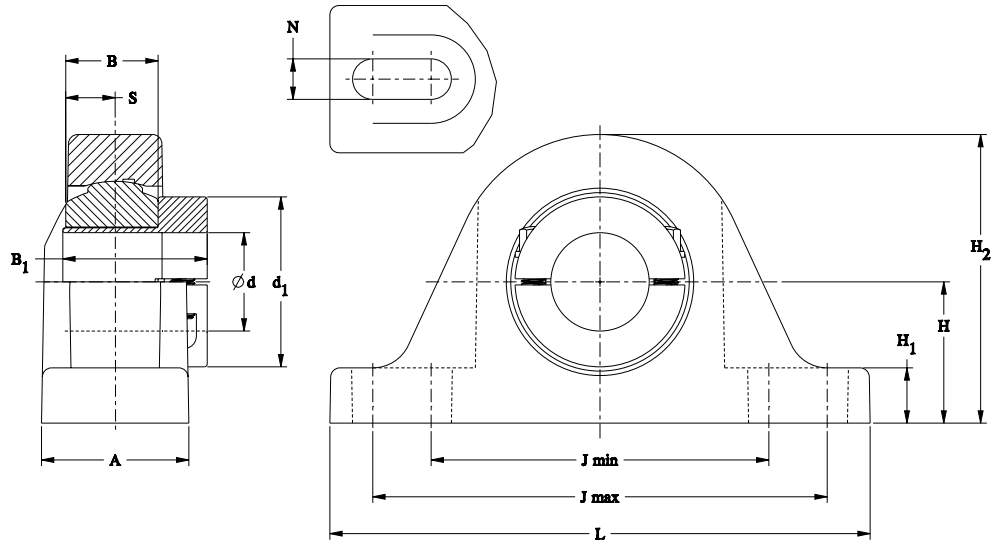
POLYMER TWO-BOLT PILLOW BLOCK MOUNTED BEARINGS



Shaft Dia. d		Pillow Block Designation	Bearing Designation	Dimensions												Bolt Size	Wt.														
				H	L	A	H ₁	J _{min}	J _{max}	H ₂	B	S	B ₁	d ₁	N																
mm	in.																														
20	¾	NAU4LKB204-12	NAU4LK204-12	33.3	133.4	35.1	12.7	82.6	111.3	68.3	20.7	11.1	34.2	41	10.5	M10	0.3														
		NAU4LKB204	NAU4LK204	1.313	5.250	1.376	0.500	3.250	4.375	2.689	0.815	0.437	1.346	1.614	0.413	¾	0.6														
25	7/8	NAU4LKB205-14	NAU4LK205-14	36.6	139.7	38.1	14.2	87.4	117.6	74.6	23.9	12.8	37.3	44	10.5	M10	0.4														
	1 1/16	NAU4LKB205-15	NAU4LK205-15																												
		NAU4LKB205	NAU4LK205															1.438	5.500	1.500	0.563	3.438	4.625	2.937	0.940	0.503	1.469	1.732	0.412	¾	0.8
30	1	NAU4LKB205-16	NAU4LK205-16	42.9	158.8	44.5	17.5	104.9	130.3	85.9	25.7	13.3	39.2	50	13.5	M12	0.5														
	1 1/8	NAU4LKB206-18	NAU4LK206-18																												
		NAU4LKB206	NAU4LK206															1.688	6.248	1.750	0.688	4.126	5.125	3.376	1.012	0.522	1.543	1.969	0.531	½	1.1
	1 3/8	NAU4LKB206-19	NAU4LK206-19																												
	1 ¼	NAU4LKB206-20	NAU4LK206-20																												

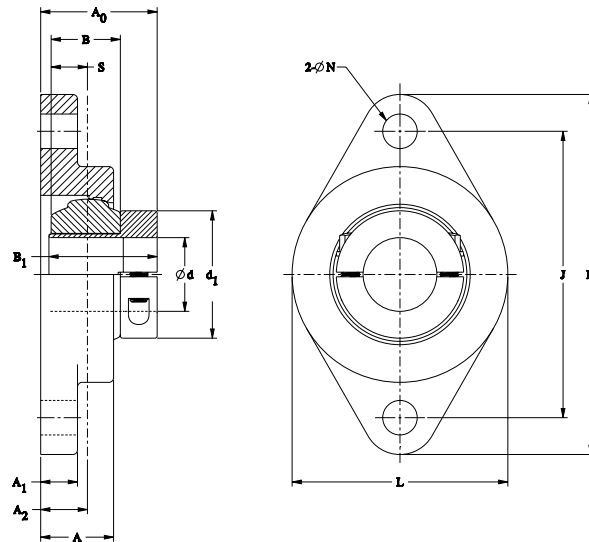
HYGIENIC BLUE POLYMER (THERMOSET) MOUNTED BEARINGS WITH POLY-ROUND INSERTS

POLYMER TWO-BOLT PILLOW BLOCK MOUNTED BEARINGS



Shaft Dia. d		Pillow Block Designation	Bearing Designation	Dimensions											Bolt Size	Wt.	
				H	L	A	H ₁	J _{min}	J _{max}	H ₂	B	S	B ₁	d ₁			N
mm	in.																
	1 ¼	NAU4LKB207-20	NAU4LK207-20	47.8	166.6	44.5	17.5	119.1	138.2	98.6	29.4	16.7	42.8	57	13.5	M12	0.7
	1 ⅝	NAU4LKB207-21	NAU4LK207-21														
	1 ¾	NAU4LKB207-22	NAU4LK207-22														
35		NAU4LKB207	NAU4LK207	1.875	6.564	1.752	0.688	4.688	5.438	3.875	1.157	0.657	1.685	2.244	0.531	½	1.5
	1 ⅞	NAU4LKB207-23	NAU4LK207-23	54.1	184.2	49.3	19.1	127	155.7	109.5	34.2	19.1	47.6	60	13.5	M12	0.9
	1 ½	NAU4LKB208-24	NAU4LK208-24														
	1 ⅝	NAU4LKB208-25	NAU4LK208-25														
40		NAU4LKB208	NAU4LK208	2.130	7.252	1.938	0.750	5.000	6.126	4.310	1.345	0.751	1.874	2.362	0.531	½	1.9
	1 ⅝	NAU4LKB209-26	NAU4LK209-26	54.1	189	50.8	19.1	134.9	160.3	111.3	33.7	18.6	50.3	70	13.5	M12	1.0
	1 ⅞	NAU4LKB209-27	NAU4LK209-27														
	1 ¾	NAU4LKB209-28	NAU4LK209-28														
45		NAU4LKB209	NAU4LK209	2.125	7.438	2.000	0.752	5.313	6.311	4.380	1.325	0.731	1.980	2.756	0.531	½	2.1
	1 ⅞	NAU4LKB210-30	NAU4LK210-30	57.2	206.5	57.2	19.1	149.2	171.5	117.6	36.1	21.0	52.7	76	16.7	M16	1.2
	1 ⅞	NAU4LKB210-31	NAU4LK210-31														
	1 ¾	NAU4LKB210	NAU4LK210														
50		NAU4LKB210	NAU4LK210	2.252	8.125	2.252	0.752	5.875	6.752	4.625	1.420	0.826	2.075	2.992	0.656	⅝	2.7
	2	NAU4LKB210-32	NAU4LK210-32														

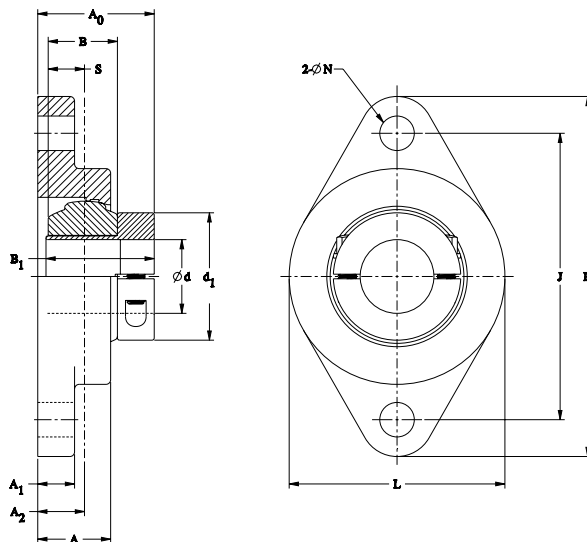
POLYMER TWO-BOLT FLANGED MOUNTED BEARINGS



Shaft Dia. d		Two-Bolt Flange Designation	Bearing Designation	Dimensions												Bolt Size	Wt.															
				H	J	A ₁	A	A ₀	L	A ₂	B	S	B ₁	d ₁	N																	
mm	in.			mm in.	mm in.	mm in.	mm in.	mm in.	mm in.	mm in.	mm in.	mm in.	mm in.	mm in.	mm in.	mm in.	kg lbs															
20	¾	NAU4LKBFL204-12	NAU4LK204-12	112	89.7	11.2	24.1	37.4	68.3	15.1	20.7	11.1	34.2	41	10.3	M10	0.2															
		NAU4LKBFL204	NAU4LK204	4.407	3.532	0.438	0.950	1.472	2.690	0.594	0.815	0.437	1.346	1.614	0.406	¾	0.5															
25	7/8	NAU4LKBFL205-14	NAU4LK205-14	121.2	98.8	12.7	25.1	40.4	74.4	16.6	23.9	12.8	37.3	44	11.9	M10	0.3															
	15/16	NAU4LKBFL205-15	NAU4LK205-15															4.770	3.890	0.500	0.990	1.591	2.930	0.654	0.940	0.503	1.469	1.732	0.469	7/16	0.6	
		NAU4LKBFL205	NAU4LK205																													
30	1	NAU4LKBFL205-16	NAU4LK205-16	145.3	116.7	12.7	27.2	41.8	92.1	16.7	25.7	13.3	39.2	50	11.9	M10	0.4															
	1 1/8	NAU4LKBFL206-18	NAU4LK206-18															5.720	4.594	0.500	1.067	1.647	3.625	0.657	1.012	0.522	1.543	1.969	0.469	7/16	0.9	
		NAU4LKBFL206	NAU4LK206																													
	1 3/8	NAU4LKBFL206-19	NAU4LK206-19																													
	1 1/4	NAU4LKBFL206-20	NAU4LK206-20																													

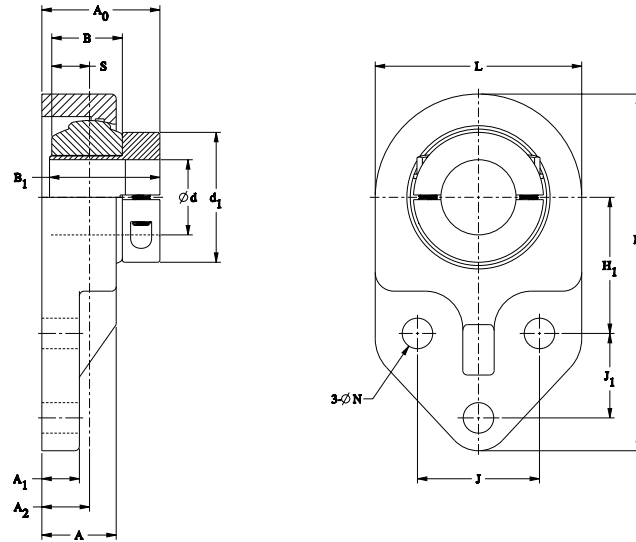
HYGIENIC BLUE POLYMER (THERMOSET) MOUNTED BEARINGS WITH POLY-ROUND INSERTS

POLYMER TWO-BOLT FLANGED MOUNTED BEARINGS



Shaft Dia. d		Two-Bolt Flange Designation	Bearing Designation	Dimensions												Bolt Size	Wt.	
				H	J	A ₁	A	A ₀	L	A ₂	B	S	B ₁	d ₁	N			
mm	in.																	
				mm in.	mm in.	mm in.	mm in.	mm in.	mm in.	mm in.	mm in.	mm in.	mm in.	mm in.	mm in.	mm in.	mm in.	kg lbs
35	1 ¼	NAU4LKBFL207-20	NAU4LK207-20	158.8 6.250	130 5.124	14.2 0.563	31 1.223	45.5 1.791	101.6 4.000	20.1 0.791	29.4 1.157	16.7 0.657	42.8 1.685	57 2.244	13.5 0.531	M12 ½	0.5 1.2	
	1 ⅝	NAU4LKBFL207-21	NAU4LK207-21															
	1 ¾	NAU4LKBFL207-22	NAU4LK207-22															
		NAU4LKBFL207	NAU4LK207															
	1 7/8	NAU4LKBFL207-23	NAU4LK207-23															
40	1 ½	NAU4LKBFL208-24	NAU4LK208-24	172.2 6.781	143.8 5.656	14.2 0.563	31.5 1.240	47.3 1.862	115.8 4.560	19.5 0.768	34.2 1.345	19.1 0.751	47.6 1.874	60 2.362	13.5 0.531	M12 ½	0.7 1.6	
	1 ⅝	NAU4LKBFL208-25	NAU4LK208-25															
		NAU4LKBFL208	NAU4LK208															
45	1 ⅝	NAU4LKBFL209-26	NAU4LK209-26	177 6.969	148.3 5.844	16 0.625	31.5 1.240	50.4 1.983	120.4 4.740	19.4 0.764	33.7 1.325	18.6 0.731	50.3 1.980	70 2.756	13.5 0.531	M12 ½	0.8 1.8	
	1 11/16	NAU4LKBFL209-27	NAU4LK209-27															
	1 ¾	NAU4LKBFL209-28	NAU4LK209-28															
50	1 7/8	NAU4LKBFL210-30	NAU4LK210-30	185.7 7.313	157.2 6.188	16 0.625	31.5 1.240	50.6 1.991	128.5 5.060	19.6 0.772	36.1 1.420	21 0.826	52.7 2.075	76 2.992	13.5 0.531	M12 ½	0.9 2.0	
	1 15/16	NAU4LKBFL210-31	NAU4LK210-31															
		NAU4LKBFL210	NAU4LK210															
	2	NAU4LKBFL210-32	NAU4LK210-32															

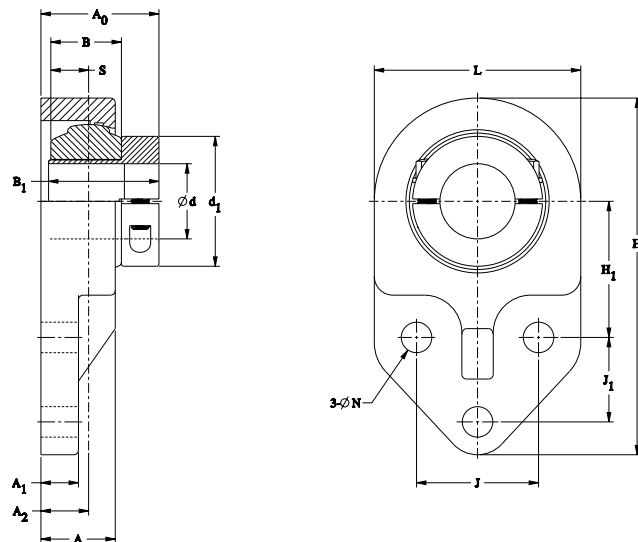
POLYMER THREE-BOLT FLANGED MOUNTED BEARINGS



Shaft Dia. d		Three-Bolt Flange Designation	Bearing Designation	Dimensions														Bolt Size	Wt.																
				H	H ₁	J ₁	J	L	A	A ₂	A ₀	A ₁	B	S	B ₁	d ₁	N																		
mm	in.																	mm	kg																
				in.	in.	in.	in.	in.	in.	in.	in.	in.	in.	in.	in.	in.	in.	in.	in.	lbs															
20	¾	NAU4LKBFB204-12	NAU4LK204-12	110.2	42.7	22.4	38.1	65	24.1	15.1	37.4	11.1	20.7	11.1	34.2	41	10.3	M10	0.2																
		NAU4LKBFB204	NAU4LK204	4.340	1.680	0.875	1.500	2.560	0.950	0.594	1.472	0.438	0.815	0.437	1.346	1.614	0.406	¾	0.5																
25	⅞	NAU4LKBFB205-14	NAU4LK205-14	120.7	46	28.4	41.4	69.9	25.1	16.1	39.9	12.7	23.9	12.8	37.3	44	10.3	M10	0.3																
	1⅙	NAU4LKBFB205-15	NAU4LK205-15																																
		NAU4LKBFB205	NAU4LK205																	4.750	1.813	1.120	1.625	2.750	0.990	0.634	1.571	0.500	0.940	0.503	1.469	1.732	0.406	¾	0.7
30	1	NAU4LKBFB205-16	NAU4LK205-16	138.2	52.3	31.8	47.8	82.6	27.1	16.7	41.8	12.7	25.7	13.3	39.2	50	10.3	M10	0.5																
	1⅝	NAU4LKBFB206-18	NAU4LK206-18																																
		NAU4LKBFB206	NAU4LK206																	5.435	2.060	1.253	1.875	3.250	1.067	0.657	1.647	0.500	1.012	0.522	1.543	1.969	0.406	¾	1.0
	1⅜	NAU4LKBFB206-19	NAU4LK206-19																																
35	1¼	NAU4LKBFB206-20	NAU4LK206-20	157.2	60.5	31.8	50.8	96.8	31.1	20.1	45.5	14.3	29.4	16.7	42.8	57	13.5	M12	0.6																
	1½	NAU4LKBFB207-20	NAU4LK207-20																																
		NAU4LKBFB207-21	NAU4LK207-21																	6.188	2.375	1.250	2.000	3.810	1.223	0.791	1.791	0.563	1.157	0.657	1.685	2.244	0.531	½	1.3
	1⅝	NAU4LKBFB207-22	NAU4LK207-22																																
		NAU4LKBFB207	NAU4LK207																																
	1⅞	NAU4LKBFB207-23	NAU4LK207-23																																

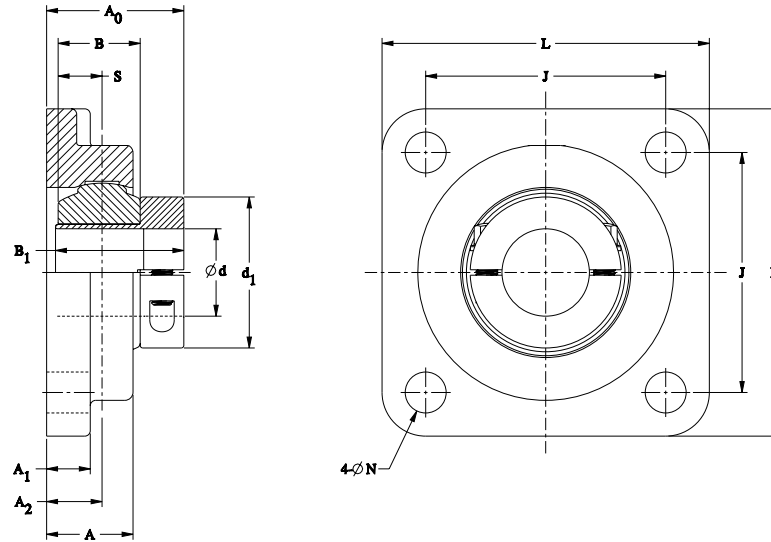
HYGIENIC BLUE POLYMER (THERMOSET) MOUNTED BEARINGS WITH POLY-ROUND INSERTS

POLYMER THREE-BOLT FLANGED MOUNTED BEARINGS



Shaft Dia. d		Three-Bolt Flange Designation	Bearing Designation	Dimensions														Bolt Size	Wt.	
				H	H ₁	J ₁	J	L	A	A ₂	A ₀	A ₁	B	S	B ₁	d ₁	N			
mm	in.																	mm	kg	
				in.	in.	in.	in.	in.	in.	in.	in.	in.	in.	in.	in.	in.	in.	in.	in.	lbs
40	1 ½	NAU4LKBFB208-24	NAU4LK208-24	170.7	65	35.1	57.2	108	31.5	19.5	47.3	14.3	34.2	19.1	47.6	60	13.5	M12	0.7	
	1 ⅝	NAU4LKBFB208-25	NAU4LK208-25	6.719	2.563	1.375	2.250	4.250	1.240	0.768	1.862	0.563	1.345	0.751	1.874	2.362	0.531	½	1.6	
		NAU4LKBFB208	NAU4LK208																	
45	1 ⅝	NAU4LKBFB209-26	NAU4LK209-26	182.6	69.9	38.1	63.5	115.8	31.5	19.4	50.4	15.9	33.7	18.6	50.3	70	13.5	M12	0.9	
	1 ⅞	NAU4LKBFB209-27	NAU4LK209-27																	
	1 ¾	NAU4LKBFB209-28	NAU4LK209-28																	7.192
		NAU4LKBFB209	NAU4LK209																	
50	1 ⅞	NAU4LKBFB210-30	NAU4LK210-30	193.8	74.7	41.4	69.9	124	31.5	19.6	50.6	15.9	36.1	21	52.7	76	13.5	M12	1.0	
	1 ⅞	NAU4LKBFB210-31	NAU4LK210-31																	
		NAU4LKBFB210	NAU4LK210																	7.626
	2	NAU4LKBFB210-32	NAU4LK210-32																	

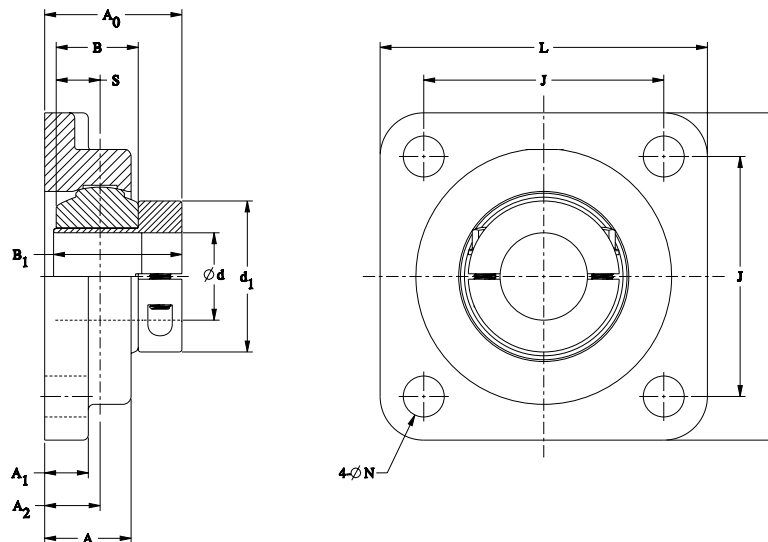
POLYMER FOUR-BOLT FLANGED MOUNTED BEARINGS



Shaft Dia. d		Four-Bolt Flange Designation	Bearing Designation	Dimensions											Bolt Size	Wt.													
				L	J	A	A ₁	A ₂	A ₀	B	S	B ₁	d ₁	N															
mm	in.																												
			mm in.	mm in.	mm in.	mm in.	mm in.	mm in.	mm in.	mm in.	mm in.	mm in.	mm in.	mm in.	mm in.	mm in.													
20	¾	NAU4LKBf204-12	NAU4LK204-12	85.9	63.5	24.1	11.2	15.1	37.4	20.7	11.1	34.2	41	10.3	M10	0.3													
		NAU4LKBf204	NAU4LK204	3.375	2.500	0.950	0.438	0.594	1.472	0.815	0.437	1.346	1.614	0.406	¾	0.6													
25	⅞	NAU4LKBf205-14	NAU4LK205-14	95.3	69.9	25.1	12.7	16.1	39.9	23.9	12.8	37.3	44	11.9	M10	0.4													
	1⅙	NAU4LKBf205-15	NAU4LK205-15																										
		NAU4LKBf205	NAU4LK205														3.750	2.750	0.990	0.500	0.634	1.571	0.940	0.503	1.469	1.732	0.469	¾	0.8
30	1	NAU4LKBf205-16	NAU4LK205-16	108	82.6	27.2	12.7	16.7	41.8	25.7	13.3	39.2	50	10.7	M10	0.5													
	1⅝	NAU4LKBf206-18	NAU4LK206-18																										
		NAU4LKBf206	NAU4LK206														4.250	3.250	1.067	0.500	0.657	1.647	1.012	0.522	1.543	1.969	0.422	¾	1.1
	1⅜	NAU4LKBf206-19	NAU4LK206-19																										
35	1¼	NAU4LKBf206-20	NAU4LK206-20	120.7	92.2	31	14.2	20.1	45.5	29.4	16.7	42.8	57	13.5	M12	0.6													
	1¼	NAU4LKBf207-20	NAU4LK207-20																										
	1⅝	NAU4LKBf207-21	NAU4LK207-21																										
	1⅝	NAU4LKBf207-21	NAU4LK207-21																										
	1⅝	NAU4LKBf207-21	NAU4LK207-21																										
	1⅝	NAU4LKBf207-22	NAU4LK207-22														4.753	3.625	1.223	0.563	0.791	1.791	1.157	0.657	1.685	2.244	0.531	½	1.4
	NAU4LKBf207	NAU4LK207																											
	1⅞	NAU4LKBf207-23	NAU4LK207-23																										

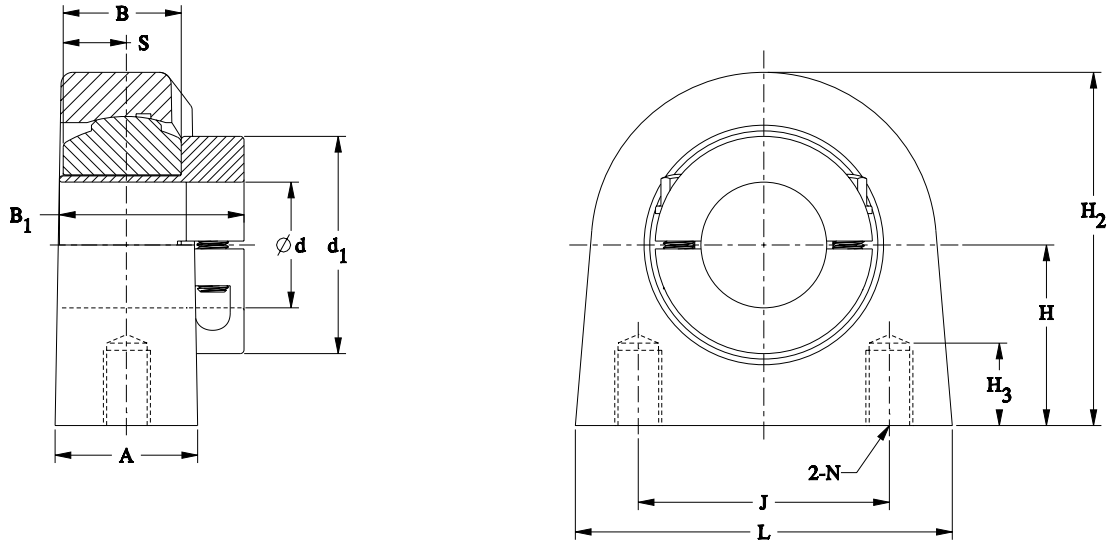
HYGIENIC BLUE POLYMER (THERMOSET) MOUNTED BEARINGS WITH POLY-ROUND INSERTS

POLYMER FOUR-BOLT FLANGED MOUNTED BEARINGS



Shaft Dia. d		Four-Bolt Flange Designation	Bearing Designation	Dimensions											Bolt Size	Wt.													
				L	J	A	A ₁	A ₂	A ₀	B	S	B ₁	d ₁	N															
mm	in.																												
40	1 ½	NAU4LKBf208-24	NAU4LK208-24	130.3	101.6	31.5	14.2	19.5	47.3	34.2	19.1	47.6	60	13.5	M12	0.7													
	1 ⅝	NAU4LKBf208-25	NAU4LK208-25														5.125	4.000	1.240	0.563	0.768	1.862	1.345	0.751	1.874	2.362	0.531	½	1.6
		NAU4LKBf208	NAU4LK208																										
45	1 ⅝	NAU4LKBf209-26	NAU4LK209-26	133.4	104.9	31.5	16	19.4	50.4	33.7	18.6	50.3	70	13.5	M12	0.9													
	1 11/16	NAU4LKBf209-27	NAU4LK209-27														5.250	4.125	1.240	0.625	0.764	1.983	1.325	0.731	1.980	2.756	0.531	½	2.0
	1 ¾	NAU4LKBf209-28	NAU4LK209-28																										
50	1 ⅞	NAU4LKBf210-30	NAU4LK210-30	139.7	111.3	31.5	16	19.6	50.6	36.1	21	52.7	76	13.5	M12	1.0													
	1 15/16	NAU4LKBf210-31	NAU4LK210-31														5.500	4.375	1.240	0.625	0.772	1.991	1.420	0.826	2.075	2.992	0.531	½	2.2
	2	NAU4LKBf210-32	NAU4LK210-32																										

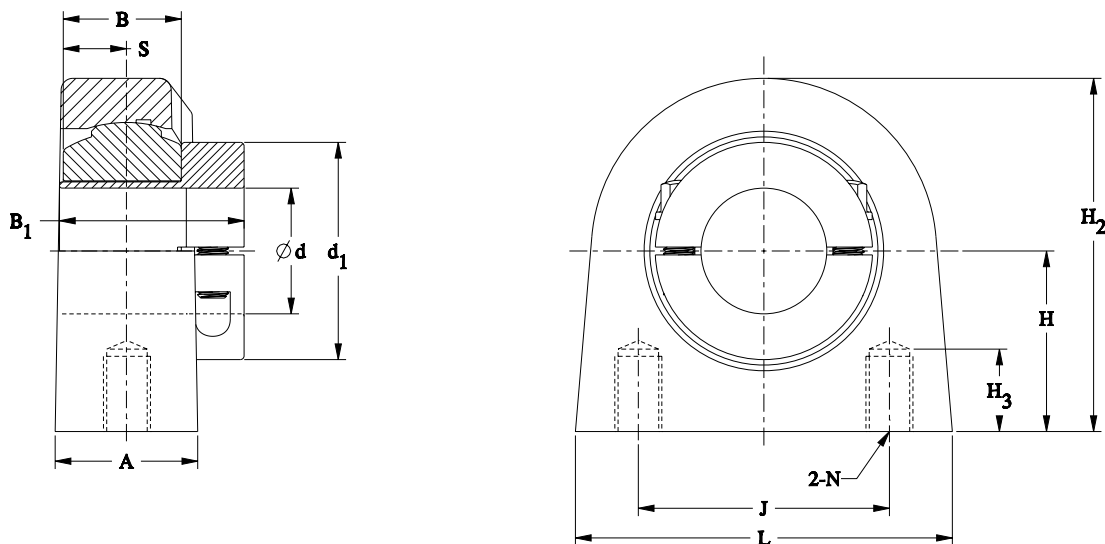
POLYMER TAPPED-BASE (IMPERIAL THREAD) MOUNTED BEARINGS



Shaft Dia. d		Tapped-Base Designation	Bearing Designation	Dimensions											Wt.											
				H	L	A	J	N	H ₂	H ₃	B	S	B ₁	d ₁												
mm	in.														kg	lbs										
20	3/4	NAU4LKBTBY204-12	NAU4LK204-12	33.3	75.2	28.7	50.8		65.5	17	20.7	11.1	34.2	41	0.2											
		NAU4LKBTBY204	NAU4LK204	1.310	2.960	1.130	2.000	3/8-16	2.580	0.670	0.815	0.437	1.346	1.614	0.6											
25	7/8	NAU4LKBTBY205-14	NAU4LK205-14	36.6	76.2	29	50.8	3/8-16	71.4	17	23.9	12.8	37.3	44	0.3											
	1 5/16	NAU4LKBTBY205-15	NAU4LK205-15																							
		NAU4LKBTBY205	NAU4LK205													1.440	3.000	1.140	2.000	2.810	0.670	0.940	0.503	1.469	1.732	0.7
	1	NAU4LKBTBY205-16	NAU4LK205-16																							
30	1 1/8	NAU4LKBTBY206-18	NAU4LK206-18	42.9	108	41.4	76.2	7/16-14	85.9	24.8	25.7	13.3	39.2	50	0.5											
		NAU4LKBTBY206	NAU4LK206																							
	1 3/8	NAU4LKBTBY206-19	NAU4LK206-19													1.690	4.250	1.630	3.000	3.380	0.976	1.012	0.522	1.543	1.969	1.0
	1 1/4	NAU4LKBTBY206-20	NAU4LK206-20																							
35	1 1/4	NAU4LKBTBY207-20	NAU4LK207-20	47.8	114.3	44.5	82.6	1/2-13	98.6	20.4	29.4	16.7	42.8	57	0.6											
	1 5/8	NAU4LKBTBY207-21	NAU4LK207-21																							
		NAU4LKBTBY207-22	NAU4LK207-22													1.880	4.500	1.750	3.250	3.880	0.803	1.157	0.657	1.685	2.244	1.4
	1 3/4	NAU4LKBTBY207	NAU4LK207																							
	1 7/8	NAU4LKBTBY207-23	NAU4LK207-23																							
	1 5/8	NAU4LKBTBY207-23	NAU4LK207-23																							

HYGIENIC BLUE POLYMER (THERMOSET) MOUNTED BEARINGS WITH POLY-ROUND INSERTS

POLYMER TAPPED-BASE (IMPERIAL THREAD) MOUNTED BEARINGS

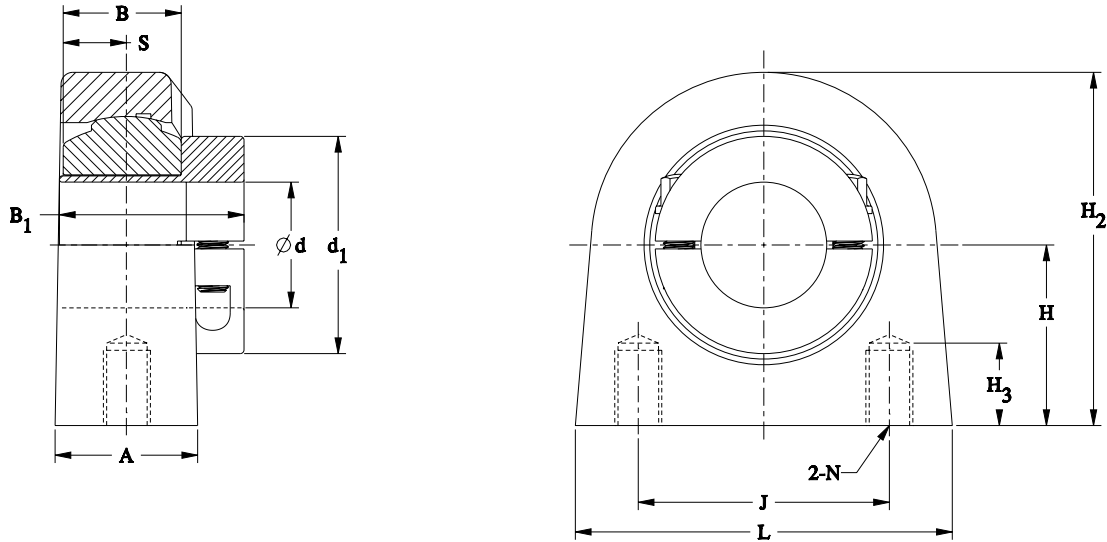


Shaft Dia. d		Tapped-Base Designation	Bearing Designation	Dimensions											Wt. kg lbs
				H	L	A	J	N	H ₂	H ₃	B	S	B ₁	d ₁	
mm	in.														
40	1 ½	NAU4LKBTBY208-24	NAU4LK208-24	49.3	120.7	47.8	88.9	½-13	104.8	20.4	34.2	19.1	47.6	60	0.8
	1 ⅝	NAU4LKBTBY208-25	NAU4LK208-25												
		NAU4LKBTBY208	NAU4LK208												
45	1 ⅝	NAU4LKBTBY209-26	NAU4LK209-26	54	133.4	50	95.3	½-13	111.3	20.4	33.7	18.6	50.3	70	0.9
	1 ⅞	NAU4LKBTBY209-27	NAU4LK209-27												
	1 ¾	NAU4LKBTBY209-28	NAU4LK209-28												
50	1 ⅞	NAU4LKBTBY210-30	NAU4LK210-30	57.2	146.1	54.0	101.6	¾-11	120.7	29	36.1	21	52.7	76	1.1
	1 ⅞	NAU4LKBTBY210-31	NAU4LK210-31												
		NAU4LKBTBY210	NAU4LK210												
	2	NAU4LKBTBY210-32	NAU4LK210-32	2.250	5.750	2.130	4.000		4.750	1.140	1.420	0.826	2.075	2.992	2.4

HYGIENIC BLUE POLYMER (THERMOSET) MOUNTED BEARINGS WITH POLY-ROUND INSERTS

POLYMER TAPPED-BASE (METRIC THREAD) MOUNTED BEARINGS

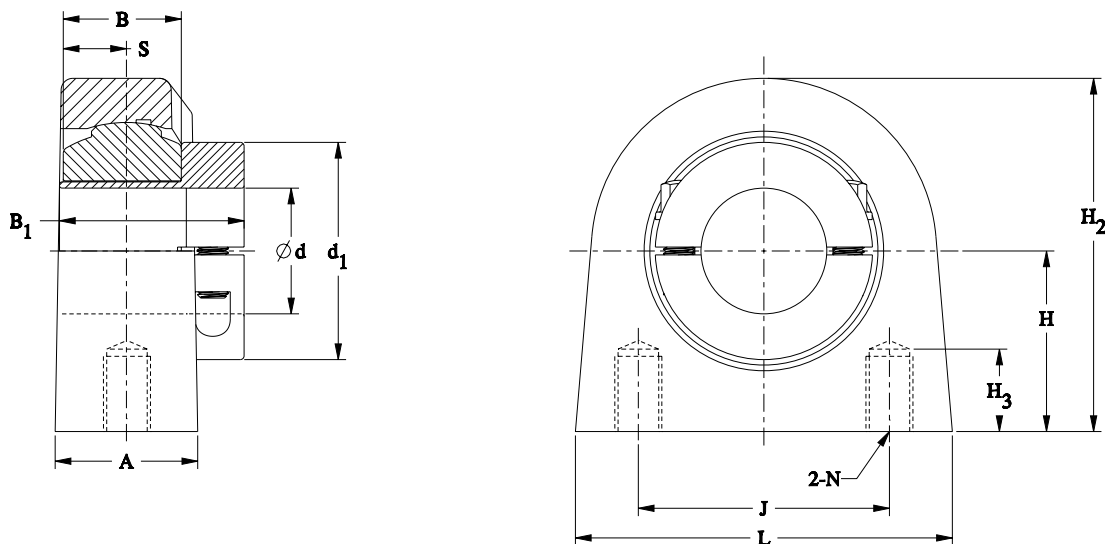
POLYMER TAPPED-BASE (METRIC THREAD) MOUNTED BEARINGS



Shaft Dia. d		Tapped-Base Designation	Bearing Designation	Dimensions										Bolt Size	Wt.															
				H	L	A	J	N	H ₂	H ₃	B	S	B ₁			d ₁														
mm	in.																													
20	¾	NAU4LKBTBYM204-12	NAU4LK204-12	33.3	75.2	28.7	50.8	M8	65.5	15.2	20.7	11.1	34.2	41	M10	0.2														
		NAU4LKBTBYM204	NAU4LK204	1.310	2.960	1.130	2.000		2.580	0.600	0.815	0.437	1.346	1.614	¾	0.6														
25	⅞	NAU4LKBTBYM205-14	NAU4LK205-14	36.6	76.2	29	50.8	M10	71.4	15.2	23.9	12.8	37.3	44	M10	0.3														
	1⅙	NAU4LKBTBYM205-15	NAU4LK205-15														1.440	3.000	1.140	2.000	2.810	0.600	0.940	0.503	1.469	1.732	¾	0.7		
		NAU4LKBTBYM205	NAU4LK205																											
	1	NAU4LKBTBYM205-16	NAU4LK205-16																											
30	1 ⅛	NAU4LKBTBYM206-18	NAU4LK206-18	42.9	108	41.4	76.2	M10	85.9	22.9	25.7	13.3	39.2	50	M10	0.5														
		NAU4LKBTBYM206	NAU4LK206														1.690	4.250	1.630	3.000	3.380	0.900	1.012	0.522	1.543	1.969	¾	1.0		
	1 ¾	NAU4LKBTBYM206-19	NAU4LK206-19																											
35	1 ¼	NAU4LKBTBYM206-20	NAU4LK206-20	47.8	114.3	44.5	82.6	M10	98.6	18.5	29.4	16.7	42.8	57	M12	0.6														
	1 ¼	NAU4LKBTBYM207-20	NAU4LK207-20														1.880	4.500	1.750	3.250	3.880	0.730	1.157	0.657	1.685	2.244	½	1.4		
	1 ⅝	NAU4LKBTBYM207-21	NAU4LK207-21																											
	1 ¾	NAU4LKBTBYM207-22	NAU4LK207-22																											
		NAU4LKBTBYM207	NAU4LK207																											
	1 ⅞	NAU4LKBTBYM207-23	NAU4LK207-23																											

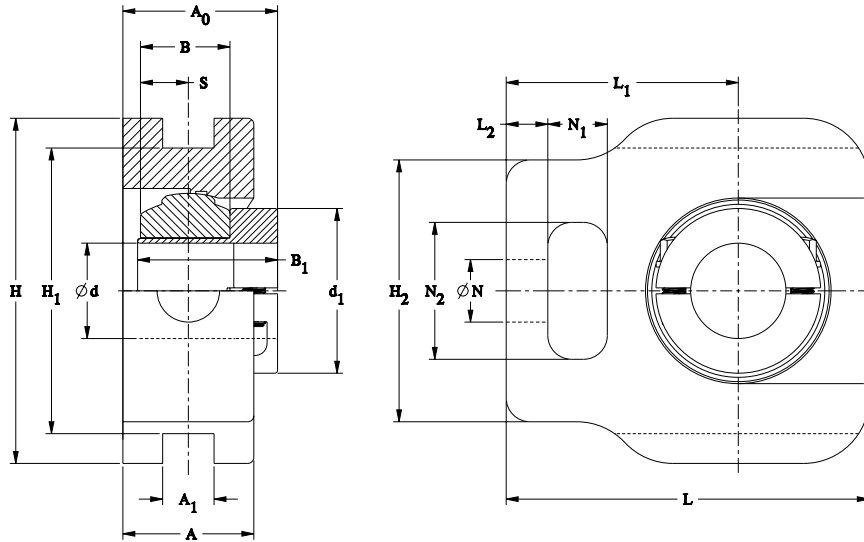
HYGIENIC BLUE POLYMER (THERMOSET) MOUNTED BEARINGS WITH POLY-ROUND INSERTS

POLYMER TAPPED-BASE (METRIC THREAD) MOUNTED BEARINGS



Shaft Dia. d		Tapped-Base Designation	Bearing Designation	Dimensions											Bolt Size	Wt.												
				H	L	A	J	N	H ₂	H ₃	B	S	B ₁	d ₁														
mm	in.															kg	lbs											
40	1 ½	NAU4LKBTBYM208-24	NAU4LK208-24	49.3	120.7	47.8	88.9	M12	104.8	18.5	34.2	19.1	47.6	60	M12	0.8	1.7											
	1 ⅝	NAU4LKBTBYM208-25	NAU4LK208-25															1.940	4.750	1.880	3.500	4.130	0.730	1.345	0.751	1.874	2.362	½
		NAU4LKBTBYM208	NAU4LK208																									
45	1 ⅞	NAU4LKBTBYM209-26	NAU4LK209-26	54	133.4	50	95.3	M12	111.3	18.5	33.7	18.6	50.3	70	M12	0.9	2.0											
	1 ⅞	NAU4LKBTBYM209-27	NAU4LK209-27															2.130	5.250	1.970	3.750	4.380	0.730	1.325	0.731	1.980	2.756	½
	1 ¾	NAU4LKBTBYM209-28	NAU4LK209-28																									
50	1 ⅞	NAU4LKBTBYM210-30	NAU4LK210-30	57.2	146.1	54	101.6	M16	120.7	29	36.1	21	52.7	76	M12	1.1	2.4											
	1 ⅞	NAU4LKBTBYM210-31	NAU4LK210-31															2.250	5.750	2.130	4.000	4.750	1.140	1.420	0.826	2.075	2.992	½
		NAU4LKBTBYM210	NAU4LK210																									
	2	NAU4LKBTBYM210-32	NAU4LK210-32																									

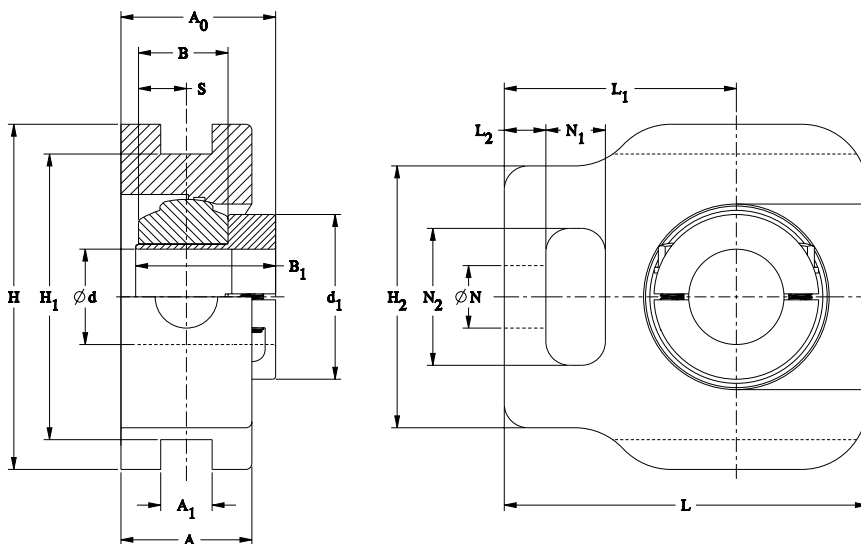
POLYMER WIDE SLOT TAKE-UP MOUNTED BEARINGS



Shaft Dia. d		Take-Up Unit Designation	Bearing Designation	Dimensions														Wt. kg lbs																	
				H	H ₁	L ₂	L ₁	A	N	L	H ₂	B	S	B ₁	d ₁	N ₁	N ₂		A ₁																
mm	in.																																		
20	¾	NAU4LKBT204-12	NAU4LK204-12	92.2	76.2	11.2	60.5	35.1	16.7	93.7	69.9	20.7	11.1	34.2	41	15.9	36.5	13.7	0.4																
		NAU4LKBT204	NAU4LK204	3.625	3.000	0.438	2.375	1.380	0.656	3.688	2.750	0.815	0.437	1.346	1.614	0.625	1.438	0.540	0.8																
25	⅞	NAU4LKBT205-14	NAU4LK205-14	92.2	76.2	11.2	62	35.1	16.7	96.8	69.9	23.9	12.8	37.3	44	15.9	36.5	13.7	0.4																
	1⅝	NAU4LKBT205-15	NAU4LK205-15																																
		NAU4LKBT205	NAU4LK205																	3.625	3.000	0.437	2.438	1.375	0.656	3.813	2.750	0.940	0.503	1.469	1.732	0.625	1.438	0.540	0.9
30	1	NAU4LKBT205-16	NAU4LK205-16	104.9	88.9	11.2	69.9	41.3	19.8	111.3	82.6	25.7	13.3	39.2	50	19.8	41.3	13.7	0.6																
	1⅝	NAU4LKBT206-18	NAU4LK206-18																																
		NAU4LKBT206	NAU4LK206																	4.125	3.500	0.438	2.750	1.625	0.781	4.375	3.250	1.012	0.522	1.543	1.969	0.781	1.625	0.540	1.4
	1⅝	NAU4LKBT206-19	NAU4LK206-19																																
35	1¾	NAU4LKBT206-20	NAU4LK206-20	104.9	88.9	11.2	76.2	41.3	19.8	122.2	82.6	29.4	16.7	42.8	57	19.8	41.4	13.7	0.7																
	1¾	NAU4LKBT207-20	NAU4LK207-20																																
	1⅝	NAU4LKBT207-21	NAU4LK207-21																																
	1⅝	NAU4LKBT207-22	NAU4LK207-22																	4.125	3.500	0.438	3.000	1.625	0.781	4.813	3.250	1.157	0.657	1.685	2.244	0.781	1.630	0.540	1.5
	1⅝	NAU4LKBT207	NAU4LK207																																
1⅞	NAU4LKBT207-23	NAU4LK207-23																																	

HYGIENIC BLUE POLYMER (THERMOSET) MOUNTED BEARINGS WITH POLY-ROUND INSERTS

POLYMER WIDE SLOT TAKE-UP MOUNTED BEARINGS



Shaft Dia. d		Take-Up Unit Designation	Bearing Designation	Dimensions														Wt.				
				H	H ₁	L ₂	L ₁	A	N	L	H ₂	B	S	B ₁	d ₁	N ₁	N ₂		A ₁			
mm	in.			mm	mm	mm	mm	mm	mm	mm	mm	mm	mm	mm	mm	mm	mm	mm	mm	mm	kg	lbs
	1 ½	NAU4LKB208-24	NAU4LK208-24	114.3	101.6	14.2	87.4	47.8	27	139.7	95.3	34.2	19.1	47.6	60	23.8	49.2	17.7			1.0	
	1 ⅝	NAU4LKB208-25	NAU4LK208-25	4.500	4.000	0.563	3.438	1.875	1.060	5.500	3.750	1.345	0.751	1.874	2.362	0.938	1.938	0.696			2.1	
40		NAU4LKB208	NAU4LK208																			
	1 ⅝	NAU4LKB209-26	NAU4LK209-26																			
	1 11/16	NAU4LKB209-27	NAU4LK209-27	117.6	101.6	14.2	88.9	47.8	27	144.5	95.3	33.7	18.6	50.3	70	23.8	49.2	17.7			1.1	
	1 ¾	NAU4LKB209-28	NAU4LK209-28	4.625	4.000	0.560	3.500	1.875	1.063	5.688	3.750	1.325	0.731	1.980	2.756	0.938	1.938	0.696			2.4	
45		NAU4LKB209	NAU4LK209																			
	1 ⅞	NAU4LKB210-30	NAU4LK210-30																			
	1 15/16	NAU4LKB210-31	NAU4LK210-31	120.7	101.6	14.2	90.4	47.8	27	147.6	95.3	36.1	21	52.7	76	23.8	49.2	17.7			1.1	
50		NAU4LKB210	NAU4LK210	4.750	4.000	0.563	3.563	1.875	1.063	5.813	3.750	1.420	0.826	2.075	2.992	0.938	1.938	0.696			2.4	
	2	NAU4LKB210-32	NAU4LK210-32																			

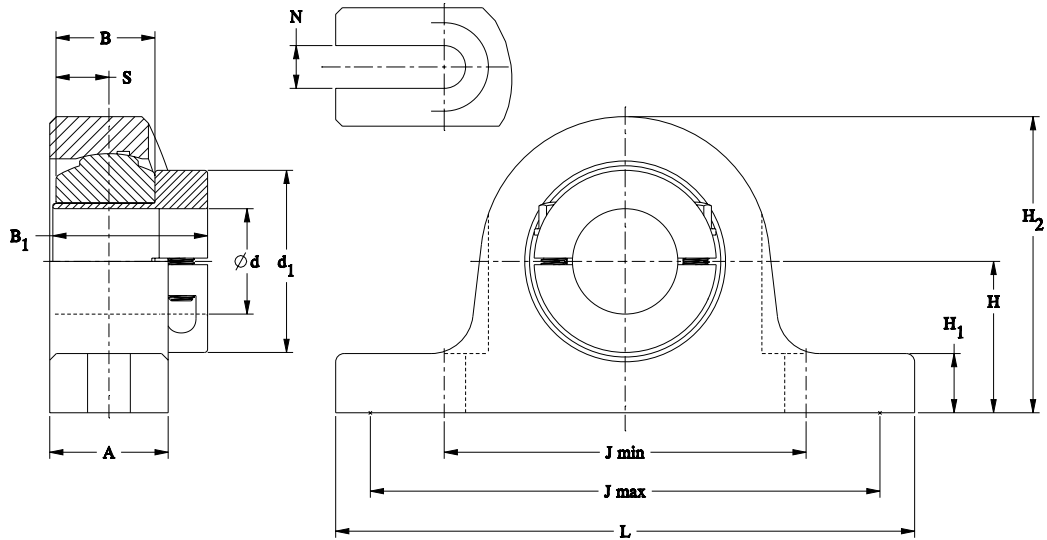


***HYGIENIC STAINLESS STEEL
MOUNTED BEARINGS WITH
POLY-ROUND INSERTS***

The following topics are covered within this section:

Stainless Steel Two-Bolt Pillow Block Mounted Bearings	56
Stainless Steel Two-Bolt Flanged Mounted Bearings	58
Stainless Steel Three-Bolt Flanged Mounted Bearings	60
Stainless Steel Four-Bolt Flanged Mounted Bearings	62
Stainless Steel Tapped-Base (Imperial Thread) Mounted Bearings	64
Stainless Steel Tapped-Base (Metric Thread) Mounted Bearings	66
Stainless Steel Take-Up Mounted Bearings	68

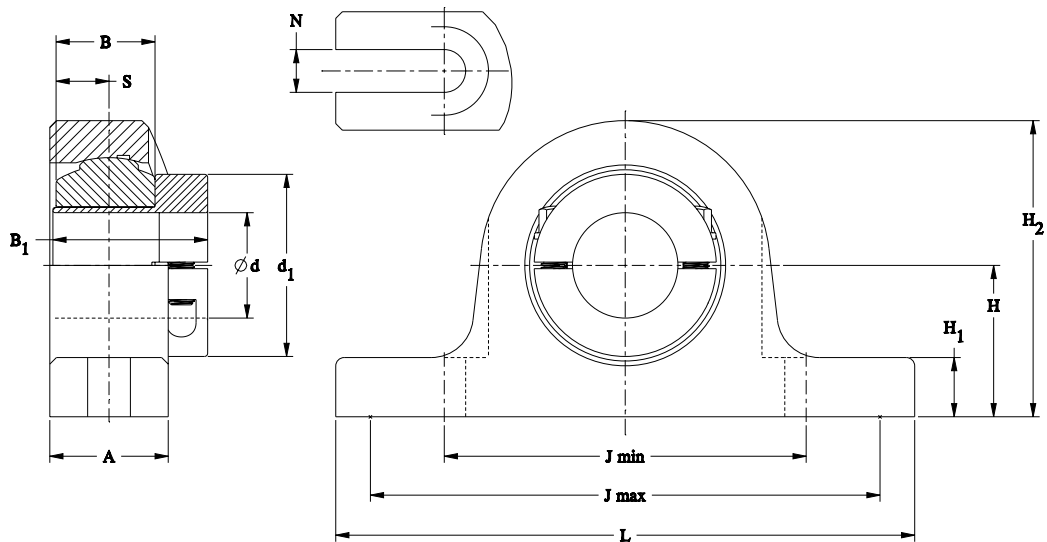
STAINLESS STEEL TWO-BOLT PILLOW BLOCK MOUNTED BEARINGS



Shaft Dia. d		Pillow Block Designation	Bearing Designation	Dimensions												Bolt Size	Wt.	
				H	L	A	H ₁	J min	J max	H ₂	B	S	B ₁	d ₁	N			
mm	in.																kg	lbs
20	¾	NAU4LKAP204-12	NAU4LK204-12	33.3	133.4	28.7	12.7	82.6	111.3	65	20.7	11.1	34.2	41	10.3	M10	0.7	
		NAU4LKAP204	NAU4LK204	1.313	5.250	1.130	0.500	3.250	4.375	2.560	0.815	0.437	1.346	1.614	0.406	¾	1.5	
25	⅞	NAU4LKAP205-14	NAU4LK205-14															
	1⅝	NAU4LKAP205-15	NAU4LK205-15	36.6	139.7	28.7	14.2	87.4	117.6	71.4	23.9	12.8	37.3	44	10.3	M10	0.8	
		NAU4LKAP205	NAU4LK205	1.438	5.500	1.130	0.563	3.438	4.625	2.810	0.940	0.503	1.469	1.732	0.406	¾	1.7	
30	1	NAU4LKAP205-16	NAU4LK205-16															
	1⅝	NAU4LKAP206-18	NAU4LK206-18															
		NAU4LKAP206	NAU4LK206	42.9	158.8	37.3	17.5	104.9	130.3	82.6	25.7	13.3	39.2	50	13.5	M12	1.4	
	1⅝	NAU4LKAP206-19	NAU4LK206-19	1.688	6.248	1.470	0.688	4.126	5.125	3.250	1.012	0.522	1.543	1.969	0.531	½	3.0	
35	1¼	NAU4LKAP206-20	NAU4LK206-20															
	1¼	NAU4LKAP207-20	NAU4LK207-20															
	1⅝	NAU4LKAP207-21	NAU4LK207-21															
	1⅝	NAU4LKAP207-22	NAU4LK207-22	47.8	166.6	37.3	17.5	119.1	138.2	95.3	29.4	16.7	42.8	57	13.5	M12	1.7	
	1⅝	NAU4LKAP207	NAU4LK207	1.875	6.564	1.470	0.688	4.688	5.438	3.750	1.157	0.657	1.685	2.244	0.531	½	3.7	
	1⅝	NAU4LKAP207-23	NAU4LK207-23															

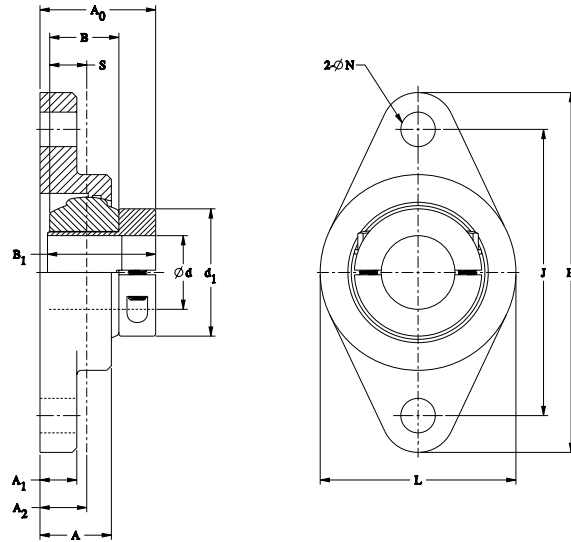
HYGIENIC STAINLESS STEEL MOUNTED BEARINGS WITH POLY-ROUND INSERTS

STAINLESS STEEL TWO-BOLT PILLOW BLOCK MOUNTED BEARINGS



Shaft Dia. d		Pillow Block Designation	Bearing Designation	Dimensions												Bolt Size	Wt.	
				H	L	A	H ₁	J _{min}	J _{max}	H ₂	B	S	B ₁	d ₁	N			
mm	in.																	
40	1 ½	NAU4LKAP208-24	NAU4LK208-24	54.1	184.2	41.4	19.1	127	155.7	106.4	34.2	19.1	47.6	60	13.5	M12	2.4	
	1 ⅝	NAU4LKAP208-25	NAU4LK208-25	2.125	7.252	1.630	0.752	5.000	6.126	4.190	1.345	0.751	1.874	2.362	0.531	½	5.2	
		NAU4LKAP208	NAU4LK208															
45	1 ⅝	NAU4LKAP209-26	NAU4LK209-26	54.1	189	43.7	17.5	134.9	160.3	108	33.7	18.6	50.3	70	13.5	M12	2.7	
	1 ⅞	NAU4LKAP209-27	NAU4LK209-27	2.130	7.438	1.720	0.688	5.313	6.311	4.250	1.325	0.731	1.980	2.756	0.531	½	6.0	
		NAU4LKAP209	NAU4LK209															
50	1 ⅞	NAU4LKAP210-30	NAU4LK210-30	57.2	206.5	50	19.1	149.4	171.5	114.3	36.1	21	52.7	76	16.7	M16	3.4	
	2	NAU4LKAP210-31	NAU4LK210-31	2.252	8.125	1.970	0.752	5.875	6.752	4.500	1.420	0.826	2.075	2.992	0.656	⅝	7.4	
		NAU4LKAP210	NAU4LK210															
	2	NAU4LKAP210-32	NAU4LK210-32															

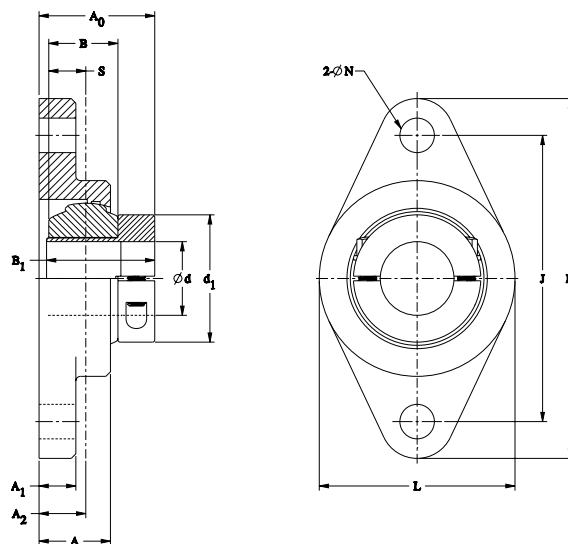
STAINLESS STEEL TWO-BOLT FLANGED MOUNTED BEARINGS



Shaft Dia. d		Two-Bolt Flange Designation	Bearing Designation	Dimensions												Bolt Size	Wt.															
mm	in.			H	J	A ₁	A	A ₀	L	A ₂	B	S	B ₁	d ₁	N			mm in.	kg lbs													
20	¾	NAU4LKAF204-12	NAU4LK204-12	112	89.7	11.2	24.1	37.4	61.5	15.1	20.7	11.1	34.2	41	10.3	M10	3.3															
		NAU4LKAF204	NAU4LK204	4.407	3.532	0.438	0.950	1.472	2.421	0.594	0.815	0.437	1.346	1.614	0.406	¾	7.3															
25	⅞	NAU4LKAF205-14	NAU4LK205-14	124.2	98.8	12.7	24.6	39.9	67.6	16.1	23.9	12.8	37.3	44	11.9	M10	0.6															
	1⅙	NAU4LKAF205-15	NAU4LK205-15															4.890	3.890	0.500	0.970	1.571	2.661	0.634	0.940	0.503	1.469	1.732	0.469	¾	1.4	
		NAU4LKAF205	NAU4LK205																													
	1	NAU4LKAF205-16	NAU4LK205-16																													
30	1⅛	NAU4LKAF206-18	NAU4LK206-18	142	116.8	12.7	27.2	41.8	79.2	16.7	25.7	13.3	39.2	50	11.9	M10	1.0															
		NAU4LKAF206	NAU4LK206															5.594	4.600	0.500	1.067	1.647	3.118	0.657	1.012	0.522	1.543	1.969	0.469	⅞	2.1	
	1⅜	NAU4LKAF206-19	NAU4LK206-19																													
35	1¼	NAU4LKAF206-20	NAU4LK206-20	158.8	130.1	14.2	31	45.5	91.9	20.1	29.4	16.7	42.8	57	13.5	M12	1.3															
		NAU4LKAF207-20	NAU4LK207-20															6.250	5.124	0.563	1.223	1.791	3.618	0.791	1.157	0.657	1.685	2.244	0.531	⅞	2.8	
	1⅝	NAU4LKAF207-21	NAU4LK207-21																													
		NAU4LKAF207-22	NAU4LK207-22																													
	1⅞	NAU4LKAF207	NAU4LK207																													
	1⅞	NAU4LKAF207-23	NAU4LK207-23																													

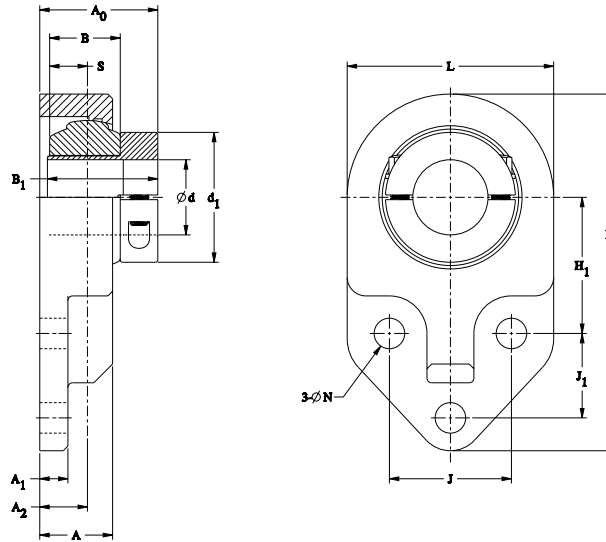
HYGIENIC STAINLESS STEEL MOUNTED BEARINGS WITH POLY-ROUND INSERTS

STAINLESS STEEL TWO-BOLT FLANGED MOUNTED BEARINGS



Shaft Dia. d		Two-Bolt Flange Designation	Bearing Designation	Dimensions												Bolt Size	Wt.	
				H	J	A ₁	A	A ₀	L	A ₂	B	S	B ₁	d ₁	N			
mm	in.																kg	lbs
40	1 ½	NAU4LKAF208-24	NAU4LK208-24	172.2 6.781	143.8 5.656	14.2 0.563	31.5 1.240	47.3 1.862	101.6 4.000	19.5 0.768	34.2 1.345	19.1 0.751	47.6 1.874	60 2.362	13.5 0.531	M12 ½	1.6 3.5	
	1 ⅝	NAU4LKAF208-25	NAU4LK208-25															
		NAU4LKAF208	NAU4LK208															
45	1 ⅞	NAU4LKAF209-26	NAU4LK209-26	172.2	148.3	16	31.5	50.4	108	19.4	33.7	18.6	50.3	70	13.5	M12	1.9	
	1 11/16	NAU4LKAF209-27	NAU4LK209-27															
	1 ¾	NAU4LKAF209-28	NAU4LK209-28															6.780
50	1 ⅞	NAU4LKAF210-30	NAU4LK210-30	177	157.2	16	31.5	50.6	115.8	19.6	36.1	21	52.7	76	16.7	M12	2.0	
	1 15/16	NAU4LKAF210-31	NAU4LK210-31															
		NAU4LKAF210	NAU4LK210															6.970
	2	NAU4LKAF210-32	NAU4LK210-32															

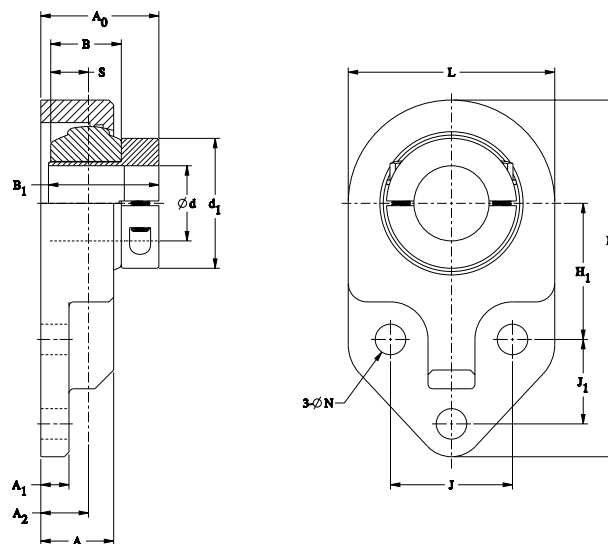
STAINLESS STEEL THREE-BOLT FLANGED MOUNTED BEARINGS



Shaft Dia. d		Three-Bolt Flange Designation	Bearing Designation	Dimensions														Bolt Size	Wt.																
				H	H ₁	J ₁	J	L	A	A ₂	A ₀	A ₁	B	S	B ₁	d ₁	N																		
mm	in.																	mm	kg																
				in.	in.	in.	in.	in.	in.	in.	in.	in.	in.	in.	in.	in.	in.	in.	in.	lbs															
20	¾	NAU4LKAFB204-12	NAU4LK204-12	108	42.9	22.4	38.1	63.5	24.1	15.1	37.4	7.9	20.7	11.1	34.2	41	10.3	M10	0.6																
		NAU4LKAFB204	NAU4LK204	4.250	1.688	0.875	1.500	2.500	0.950	0.594	1.472	0.310	0.815	0.437	1.346	1.614	0.406	¾	1.4																
25	⅞	NAU4LKAFB205-14	NAU4LK205-14	120.7	46	28.7	41.4	69.9	24.6	16.1	39.9	9.7	23.9	12.8	37.3	44	10.3	M10	0.8																
	1⅙	NAU4LKAFB205-15	NAU4LK205-15																																
		NAU4LKAFB205	NAU4LK205																	4.750	1.813	1.125	1.625	2.750	0.970	0.634	1.571	0.380	0.940	0.503	1.469	1.732	0.406	¾	1.8
30	1	NAU4LKAFB205-16	NAU4LK205-16	136.7	52.3	31.8	47.8	79.2	27.2	16.7	41.8	9.7	25.7	13.3	39.2	50	10.3	M10	1.1																
	1⅝	NAU4LKAFB206-18	NAU4LK206-18																																
		NAU4LKAFB206	NAU4LK206																	5.380	2.060	1.253	1.875	3.120	1.067	0.657	1.647	0.380	1.012	0.522	1.543	1.969	0.406	¾	2.4
	1⅝	NAU4LKAFB206-19	NAU4LK206-19																																
35	1¾	NAU4LKAFB206-20	NAU4LK206-20	152.4	60.5	31.8	50.8	92.2	31	20.1	45.5	12.7	29.4	16.7	42.8	57	13.5	M12	1.7																
	1¾	NAU4LKAFB207-20	NAU4LK207-20																																
	1⅞	NAU4LKAFB207-21	NAU4LK207-21																																
		NAU4LKAFB207-22	NAU4LK207-22																	6.000	2.375	1.250	2.000	3.630	1.223	0.791	1.791	0.500	1.157	0.657	1.685	2.244	0.531	½	3.8
	1⅞	NAU4LKAFB207	NAU4LK207																																
1⅞	NAU4LKAFB207-23	NAU4LK207-23																																	

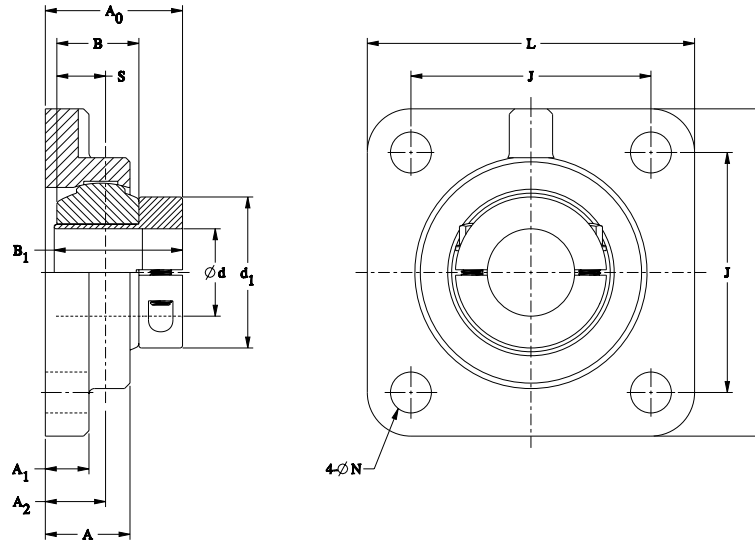
HYGIENIC STAINLESS STEEL MOUNTED BEARINGS WITH POLY-ROUND INSERTS

STAINLESS STEEL THREE-BOLT FLANGED MOUNTED BEARINGS



Shaft Dia. d		Three-Bolt Flange Designation	Bearing Designation	Dimensions													Bolt Size	Wt.		
				H	H ₁	J ₁	J	L	A	A ₂	A ₀	A ₁	B	S	B ₁	d ₁			N	
mm	in.			mm in.	mm in.	mm in.	mm in.	mm in.	mm in.	mm in.	mm in.	mm in.	mm in.	mm in.	mm in.	mm in.	mm in.	mm in.	mm in.	kg lbs
40	1 ½	NAU4LKAFB208-24	NAU4LK208-24	165.1	65	35.1	57.2	101.6	31.5	19.5	47.3	12.7	34.2	19.1	47.6	60	13.5	M12	1.9	
	1 ⅞	NAU4LKAFB208-25	NAU4LK208-25	6.500	2.563	1.375	2.250	4.000	1.240	0.768	1.862	0.500	1.345	0.751	1.874	2.362	0.531	½	4.2	
		NAU4LKAFB208	NAU4LK208																	
45	1 ⅝	NAU4LKAFB209-26	NAU4LK209-26	176.3	69.9	38.1	63.5	108	31.5	19.4	50.4	12.7	33.7	18.6	50.3	70	13.5	M12	2.2	
	1 ⅞	NAU4LKAFB209-27	NAU4LK209-27																	
	1 ¾	NAU4LKAFB209-28	NAU4LK209-28																	6.940
	NAU4LKAFB209	NAU4LK209																		
50	1 ⅞	NAU4LKAFB210-30	NAU4LK210-30	188.2	74.7	41.4	69.9	115.8	31.5	19.6	50.6	12.7	36.1	21	52.7	76	13.5	M12	2.6	
	1 ¾	NAU4LKAFB210-31	NAU4LK210-31																	
		NAU4LKAFB210	NAU4LK210																	7.410
	2	NAU4LKAFB210-32	NAU4LK210-32																	

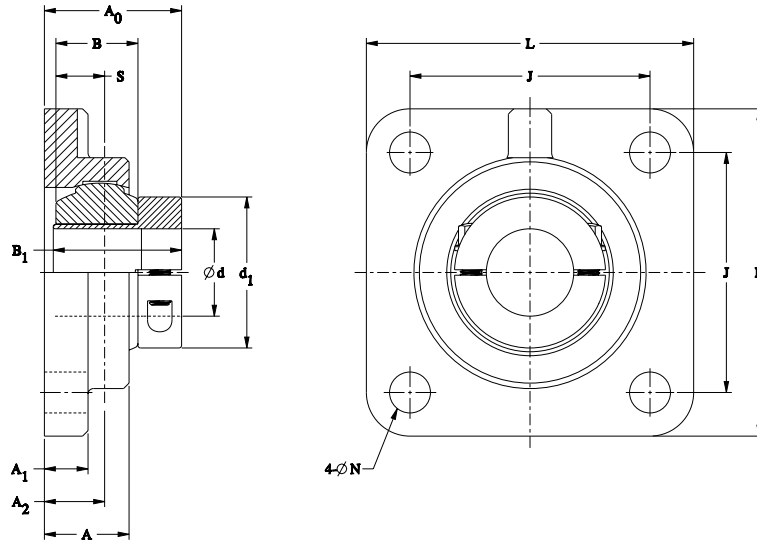
STAINLESS STEEL FOUR-BOLT FLANGED MOUNTED BEARINGS



Shaft Dia. d		Four-Bolt Flange Designation	Bearing Designation	Dimensions											Bolt Size	Wt.													
				L	J	A ₁	A ₂	A	A ₀	B	S	B ₁	d ₁	N															
mm	in.																												
20	¾	NAU4LKAF204-12	NAU4LK204-12	85.9	63.5	11.2	15.1	24.1	37.4	20.7	11.1	34.2	41	10.3	M10	0.8													
		NAU4LKAF204	NAU4LK204	3.375	2.500	0.438	0.594	0.950	1.472	0.815	0.437	1.346	1.614	0.406	⅜	1.8													
25	⅞	NAU4LKAF205-14	NAU4LK205-14	95.3	69.9	12.7	16.1	24.6	39.9	23.9	12.8	37.3	44	10.3	M10	1.0													
	1⅛	NAU4LKAF205-15	NAU4LK205-15																										
		NAU4LKAF205	NAU4LK205														3.750	2.750	0.500	0.634	0.970	1.571	0.940	0.503	1.469	1.732	0.406	⅞	2.1
30	1	NAU4LKAF205-16	NAU4LK205-16	108	82.6	12.7	16.7	27.2	41.8	25.7	13.3	39.2	50	10.3	M10	1.3													
	1 ⅛	NAU4LKAF206-18	NAU4LK206-18																										
		NAU4LKAF206	NAU4LK206														4.250	3.250	0.500	0.657	1.067	1.647	1.012	0.522	1.543	1.969	0.406	⅞	2.8
	1 ¾	NAU4LKAF206-19	NAU4LK206-19																										
35	1 ¼	NAU4LKAF206-20	NAU4LK206-20	120.7	92.2	14.2	20.1	31	45.5	29.4	16.7	42.8	57	13.5	M12	1.8													
	1 ½	NAU4LKAF207-20	NAU4LK207-20																										
		NAU4LKAF207-21	NAU4LK207-21																										
	1 ⅝	NAU4LKAF207-21	NAU4LK207-21																										
	1 ¾	NAU4LKAF207-22	NAU4LK207-22																										
		NAU4LKAF207-22	NAU4LK207-22														4.753	3.625	0.563	0.791	1.223	1.791	1.157	0.657	1.685	2.244	0.531	½	4.0
1 ⅞	NAU4LKAF207	NAU4LK207																											
	NAU4LKAF207-23	NAU4LK207-23																											

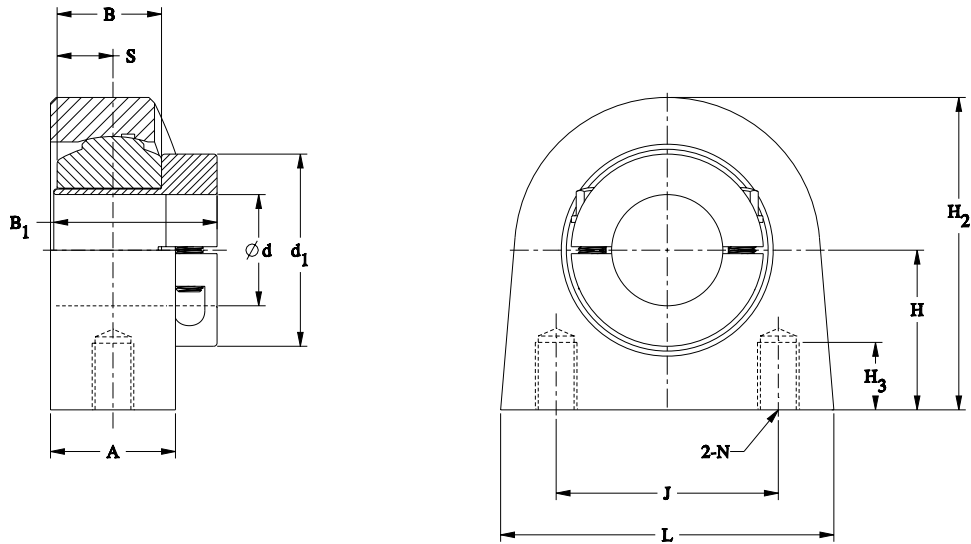
HYGIENIC STAINLESS STEEL MOUNTED BEARINGS WITH POLY-ROUND INSERTS

STAINLESS STEEL FOUR-BOLT FLANGED MOUNTED BEARINGS



Shaft Dia. d		Four-Bolt Flange Designation	Bearing Designation	Dimensions											Bolt Size	Wt.
				L	J	A ₁	A ₂	A	A ₀	B	S	B ₁	d ₁	N		
mm	in.			mm in.	mm in.	mm in.	mm in.	mm in.	mm in.	mm in.	mm in.	mm in.	mm in.	mm in.	mm in.	kg lbs
40	1 ½	NAU4LKAF208-24	NAU4LK208-24	130.3 5.125	101.6 4.000	14.2 0.563	19.5 0.768	31.5 1.240	47.3 1.862	34.2 1.345	19.1 0.751	47.6 1.874	60 2.362	13.5 0.531	M12 ½	2.4 5.2
	1 ⅝	NAU4LKAF208-25	NAU4LK208-25													
		NAU4LKAF208	NAU4LK208													
45	1 ⅝	NAU4LKAF209-26	NAU4LK209-26	133.4 5.250	104.9 4.125	16 0.625	19.4 0.764	31.5 1.240	50.4 1.983	33.7 1.325	18.6 0.731	50.3 1.980	70 2.756	13.5 0.531	M12 ½	2.6 5.7
	1 ⅞	NAU4LKAF209-27	NAU4LK209-27													
	1 ¾	NAU4LKAF209-28	NAU4LK209-28													
50	1 ⅞	NAU4LKAF210-30	NAU4LK210-30	139.7 5.500	111.3 4.375	16 0.625	19.6 0.772	31.5 1.240	50.6 1.991	36.1 1.420	21 0.826	52.7 2.075	76 2.992	13.5 0.531	M12 ½	2.6 5.8
	1 ⅞	NAU4LKAF210-31	NAU4LK210-31													
		NAU4LKAF210	NAU4LK210													
	2	NAU4LKAF210-32	NAU4LK210-32													

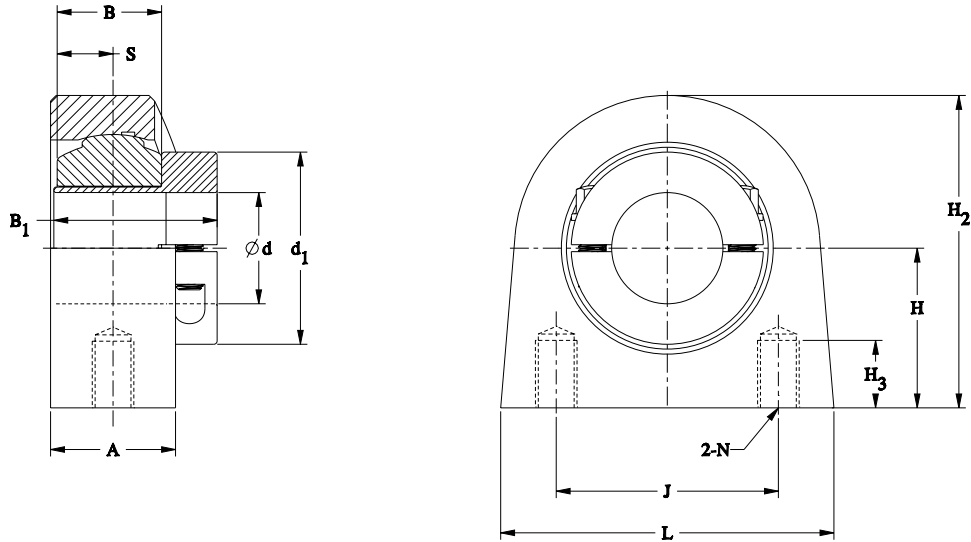
STAINLESS STEEL TAPPED-BASE (IMPERIAL THREAD) MOUNTED BEARINGS



Shaft Dia. d		Tapped-Base Designation	Bearing Designation	Dimensions										Wt.													
				H	L	A	J	N	H ₂	H ₃	B	S	B ₁		d ₁												
mm	in.														kg	lbs.											
20	¾	NAU4LKATBY204-12	NAU4LK204-12	33.3	73.2	28.7	50.8		64.3	15.9	20.7	11.1	34.2	41	0.6												
		NAU4LKATBY204	NAU4LK204	1.313	2.880	1.130	2.000	¾-16	2.530	0.625	0.815	0.437	1.346	1.614	1.3												
25	⅞	NAU4LKATBY205-14	NAU4LK205-14	36.6	76.2	28.7	50.8	¾-16	71.4	15.9	23.9	12.8	37.3	44	0.7												
	1⅝	NAU4LKATBY205-15	NAU4LK205-15																								
		NAU4LKATBY205	NAU4LK205													1.438	3.000	1.130	2.000	¾-16	2.813	0.625	0.940	0.503	1.469	1.732	1.6
	1	NAU4LKATBY205-16	NAU4LK205-16																								
30	1⅝	NAU4LKATBY206-18	NAU4LK206-18	42.9	101.6	37.3	76.2	¾-14	82.6	19.1	25.7	13.3	39.2	50	1.3												
		NAU4LKATBY206	NAU4LK206																								
	1⅞	NAU4LKATBY206-19	NAU4LK206-19													1.688	4.000	1.470	3.000	¾-14	3.250	0.750	1.012	0.522	1.543	1.969	2.8
	1¾	NAU4LKATBY206-20	NAU4LK206-20																								
35	1¾	NAU4LKATBY207-20	NAU4LK207-20	47.6	108	37.3	82.6	½-13	93.7	19.1	29.4	16.7	42.8	57	1.6												
	1⅞	NAU4LKATBY207-21	NAU4LK207-21																								
		NAU4LKATBY207-22	NAU4LK207-22													1.875	4.250	1.470	3.250	½-13	3.690	0.750	1.157	0.657	1.685	2.244	3.5
	1⅞	NAU4LKATBY207	NAU4LK207																								
	1⅞	NAU4LKATBY207-23	NAU4LK207-23																								
	1⅞	NAU4LKATBY207-23	NAU4LK207-23																								

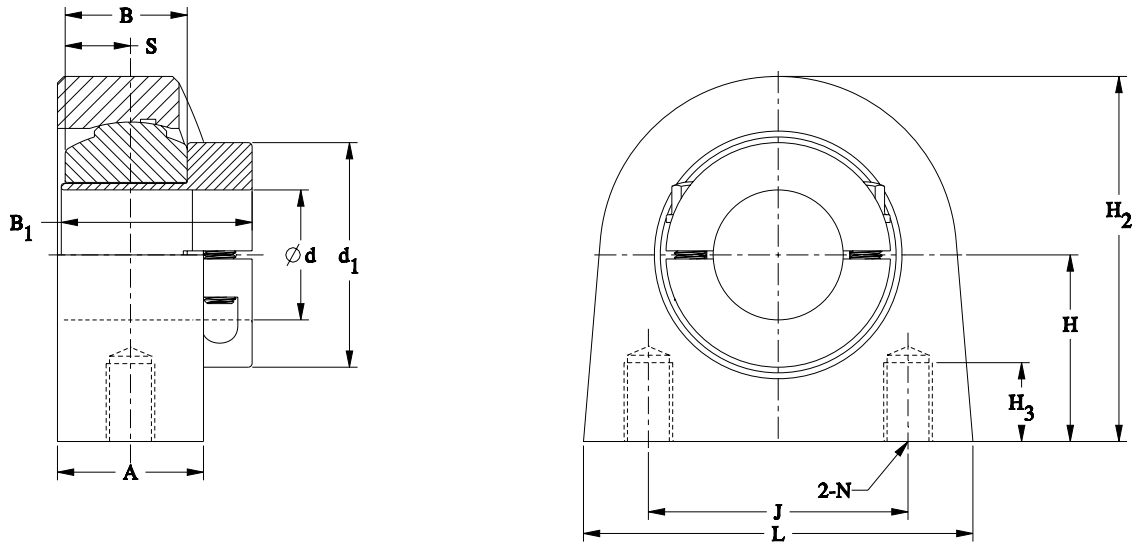
HYGIENIC STAINLESS STEEL MOUNTED BEARINGS WITH POLY-ROUND INSERTS

STAINLESS STEEL TAPPED-BASE (IMPERIAL THREAD) MOUNTED BEARINGS



Shaft Dia. d		Tapped-Base Designation	Bearing Designation	Dimensions											Wt. kg lbs.
				H	L	A	J	N	H ₂	H ₃	B	S	B ₁	d ₁	
mm	in.														
40	1 ½	NAU4LKATBY208-24	NAU4LK208-24	49.3	117.6	41.4	88.9		100.1	19.1	34.2	19.1	47.6	60	1.9
	1 ⅝	NAU4LKATBY208-25	NAU4LK208-25	1.938	4.630	1.630	3.500	½-13	3.940	0.750	1.345	0.751	1.874	2.362	4.2
		NAU4LKATBY208	NAU4LK208												
45	1 ⅝	NAU4LKATBY209-26	NAU4LK209-26												
	1 11/16	NAU4LKATBY209-27	NAU4LK209-27	54	127	43.7	95.3		108	19.1	34	19	50	70	2.6
	1 ¾	NAU4LKATBY209-28	NAU4LK209-28	2.125	5.000	1.720	3.750	½-13	4.250	0.750	1.325	0.731	1.980	2.756	5.7
		NAU4LKATBY209	NAU4LK209												
50	1 ⅞	NAU4LKATBY210-30	NAU4LK210-30												
	1 15/16	NAU4LKATBY210-31	NAU4LK210-31	57.2	139.7	50	101.6		114.3	22.2	36.1	21.0	52.7	76	3.1
		NAU4LKATBY210	NAU4LK210	2.250	5.500	1.970	4.000	¾-11	4.500	0.875	1.420	0.826	2.075	2.992	6.8
	2	NAU4LKATBY210-32	NAU4LK210-32												

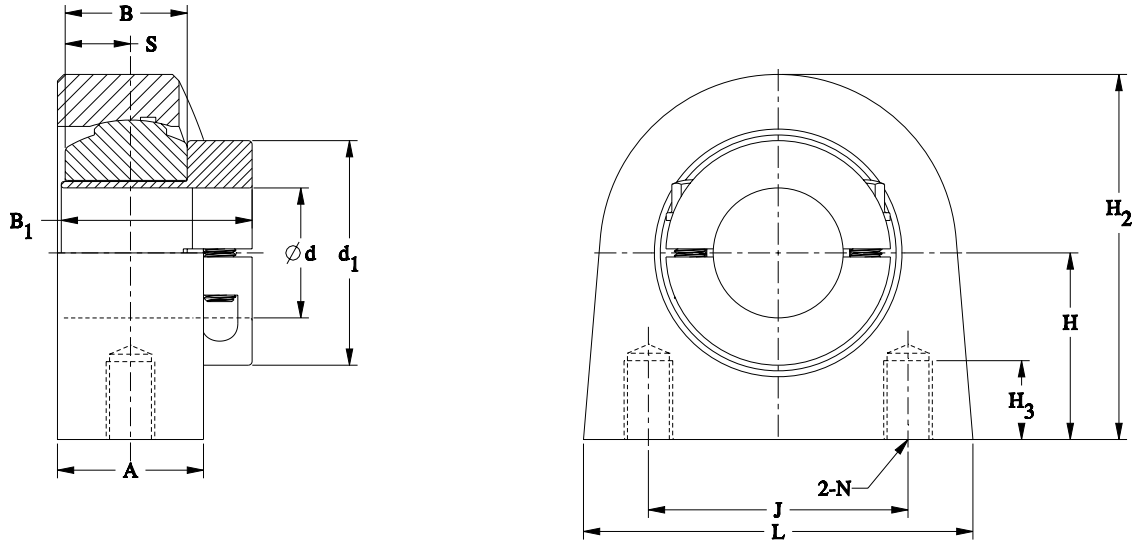
STAINLESS STEEL TAPPED-BASE (METRIC THREAD) MOUNTED BEARINGS



Shaft Dia. d		Tapped-Base Designation	Bearing Designation	Dimensions										Wt.												
				H	L	A	J	N	H ₂	H ₃	B	S	B ₁		d ₁											
mm	in.														kg	lbs.										
20	¾	NAU4LKATBYM204-12	NAU4LK204-12	33.3	73.2	28.7	50.8	M8	64.3	15.9	20.7	11.1	34.2	41	0.6											
		NAU4LKATBYM204	NAU4LK204	1.313	2.880	1.130	2.000		2.530	0.625	0.815	0.437	1.346	1.614	1.3											
25	⅞	NAU4LKATBYM205-14	NAU4LK205-14	36.6	76.2	28.7	50.8	M10	71.4	15.9	23.9	12.8	37.3	44	0.7											
	1⅝	NAU4LKATBYM205-15	NAU4LK205-15																							
		NAU4LKATBYM205	NAU4LK205													1.438	3.000	1.130	2.000	2.813	0.625	0.940	0.503	1.469	1.732	1.6
	1	NAU4LKATBYM205-16	NAU4LK205-16																							
30	1⅝	NAU4LKATBYM206-18	NAU4LK206-18	42.9	101.6	37.3	76.2	M10	82.6	19.1	25.7	13.3	39.2	50	1.3											
		NAU4LKATBYM206	NAU4LK206																							
	1⅞	NAU4LKATBYM206-19	NAU4LK206-19													1.688	4.000	1.470	3.000	3.250	0.750	1.012	0.522	1.543	1.969	2.8
	1¾	NAU4LKATBYM206-20	NAU4LK206-20																							
35	1¾	NAU4LKATBYM207-20	NAU4LK207-20	47.6	108	37.3	82.6	M10	93.7	19.1	29.4	16.7	42.8	57	1.6											
	1⅞	NAU4LKATBYM207-21	NAU4LK207-21																							
		NAU4LKATBYM207-22	NAU4LK207-22													1.875	4.250	1.470	3.250	3.690	0.750	1.157	0.657	1.685	2.244	3.5
		NAU4LKATBYM207	NAU4LK207																							
	1⅞	NAU4LKATBYM207-23	NAU4LK207-23																							

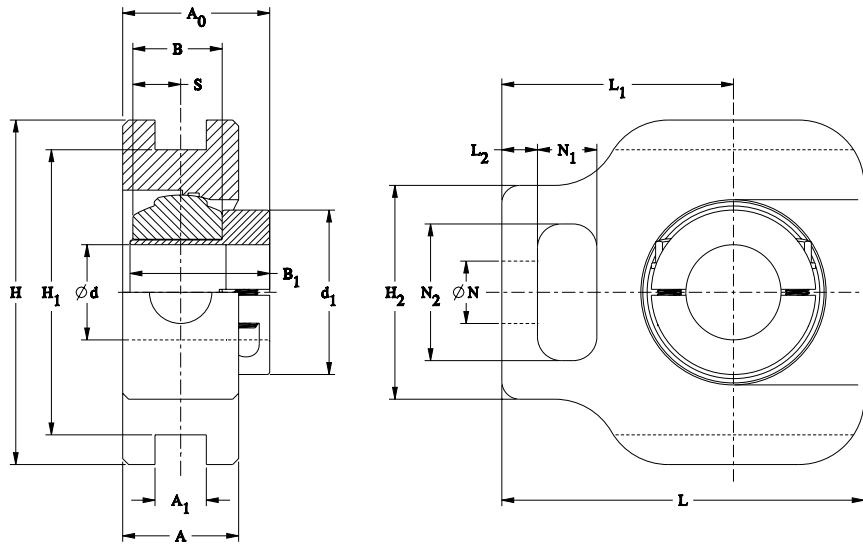
HYGIENIC STAINLESS STEEL MOUNTED BEARINGS WITH POLY-ROUND INSERTS

STAINLESS STEEL TAPPED-BASE (METRIC THREAD) MOUNTED BEARINGS



Shaft Dia. d	Tapped-Base Designation	Bearing Designation	Dimensions											Wt.	
			H	L	A	J	N	H ₂	H ₃	B	S	B ₁	d ₁		
mm	in.		mm in.	mm in.	mm in.	mm in.	mm in.	mm in.	mm in.	mm in.	mm in.	mm in.	mm in.	mm in.	kg lbs.
40	1 ½	NAU4LKATBYM208-24	NAU4LK208-24	49.3	117.6	41.4	88.9	M12	100.1	19.1	34.2	19.1	47.6	60	1.9
	1 ⅝	NAU4LKATBYM208-25	NAU4LK208-25	1.938	4.630	1.630	3.500		3.940	0.750	1.345	0.751	1.874	2.362	4.2
		NAU4LKATBYM208	NAU4LK208												
45	1 ⅝	NAU4LKATBYM209-26	NAU4LK209-26	54	127	43.7	95.3	M12	108	19.1	33.7	18.6	50.3	70	2.6
	1 11/16	NAU4LKATBYM209-27	NAU4LK209-27	2.125	5.000	1.720	3.750		4.250	0.750	1.325	0.731	1.980	2.756	5.7
	1 ¾	NAU4LKATBYM209-28	NAU4LK209-28												
50	1 ⅞	NAU4LKATBYM210-30	NAU4LK210-30	57.2	139.7	50	101.6	M16	114.3	22.2	36.1	21	52.7	76	3.1
	1 15/16	NAU4LKATBYM210-31	NAU4LK210-31	2.250	5.500	1.970	4.000		4.500	0.875	1.420	0.826	2.075	2.992	6.8
	2	NAU4LKATBYM210-32	NAU4LK210-32												

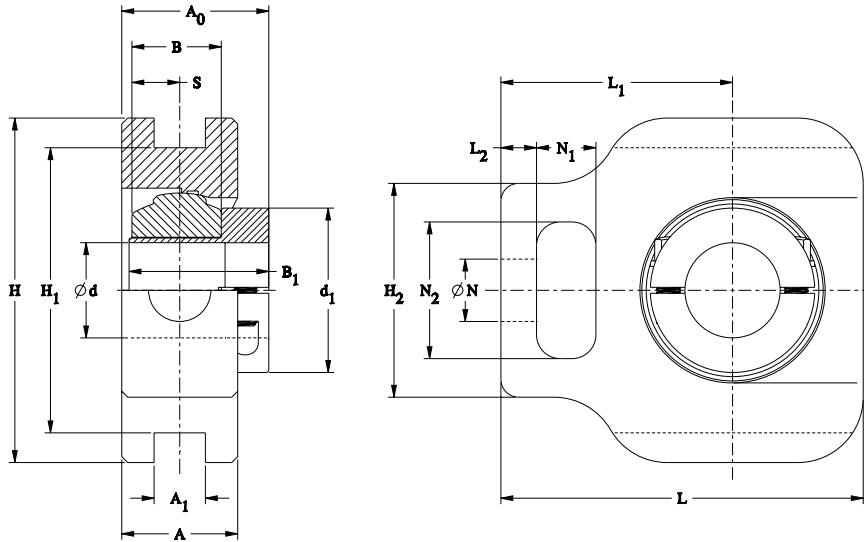
STAINLESS STEEL TAKE-UP MOUNTED BEARINGS



Shaft Dia. d	Take-Up Unit Designation	Bearing Designation	Dimensions															Wt.	
			H	H ₁	L ₂	L ₁	A	N	L	H ₂	B	S	B ₁	d ₁	N ₁	N ₂	A ₁		
mm	in.		mm	mm	mm	mm	mm	mm	mm	mm	mm	mm	mm	mm	mm	mm	mm	mm	kg
			in.	in.	in.	in.	in.	in.	in.	in.	in.	in.	in.	in.	in.	in.	in.	in.	lbs.
20	¾	NAU4LKAT204-12	NAU4LK204-12	92.2	76.2	9.7	60.3	31	16.7	93.7	57.2	20.7	11.1	34.2	41	15.7	36.6	13.7	1.4
		NAU4LKAT204	NAU4LK204	3.620	3.000	0.380	2.375	1.220	0.656	3.688	2.250	0.815	0.437	1.346	1.614	0.620	1.438	0.540	3.1
25	7/8	NAU4LKAT205-14	NAU4LK205-14	92.2	76.2	9.7	61.9	31	16.7	96.8	57.2	23.9	12.8	37.3	44	15.7	36.6	13.7	1.4
	15/16	NAU4LKAT205-15	NAU4LK205-15																
		NAU4LKAT205	NAU4LK205	3.620	3.000	0.380	2.438	1.220	0.656	3.813	2.250	0.940	0.503	1.469	1.732	0.620	1.438	0.540	3.0
30	1	NAU4LKAT205-16	NAU4LK205-16	104.9	88.9	9.7	69.9	37.3	19.8	111.3	66.9	25.7	13.3	39.2	50	19.8	41.4	13.7	2.1
	1 1/8	NAU4LKAT206-18	NAU4LK206-18																
		NAU4LKAT206	NAU4LK206	4.125	3.500	0.380	2.750	1.470	0.781	4.375	2.636	1.012	0.522	1.543	1.969	0.780	1.625	0.540	4.6
	1 3/8	NAU4LKAT206-19	NAU4LK206-19																
35	1 1/4	NAU4LKAT206-20	NAU4LK206-20	104.9	88.9	9.7	76.2	37.3	19.8	122.2	66.9	29.4	16.7	42.8	57	19.8	41.4	13.7	2.2
	1 1/2	NAU4LKAT207-20	NAU4LK207-20																
		NAU4LKAT207-21	NAU4LK207-21	4.125	3.500	0.380	3.000	1.470	0.781	4.813	2.636	1.157	0.657	1.685	2.244	0.780	1.630	0.540	4.9
	1 5/8	NAU4LKAT207-21	NAU4LK207-21																
	1 3/8	NAU4LKAT207-22	NAU4LK207-22																
	NAU4LKAT207	NAU4LK207	4.125	3.500	0.380	3.000	1.470	0.781	4.813	2.636	1.157	0.657	1.685	2.244	0.780	1.630	0.540	4.9	
	1 7/8	NAU4LKAT207-23	NAU4LK207-23																

HYGIENIC STAINLESS STEEL MOUNTED BEARINGS WITH POLY-ROUND INSERTS

STAINLESS STEEL TAKE-UP MOUNTED BEARINGS



Shaft Dia. d	Take-Up Unit Designation	Bearing Designation	Dimensions															Wt.	
			H	H ₁	L ₂	L ₁	A	N	L	H ₂	B	S	B ₁	d ₁	N ₁	N ₂	A ₁		
mm in.			mm in.	mm in.	mm in.	mm in.	mm in.	mm in.	mm in.	mm in.	mm in.	mm in.	mm in.	mm in.	mm in.	mm in.	mm in.	mm in.	kg lbs.
1 1/2	NAU4LKAT208-24	NAU4LK208-24	114.3	101.6	14.2	87.3	47.8	26.2	139.7	81	34.2	19.1	47.6	60	23.9	49.3	17.8	3.3	
1 5/8	NAU4LKAT208-25	NAU4LK208-25	4.500	4.000	0.563	3.438	1.880	1.031	5.500	3.188	1.345	0.751	1.874	2.362	0.937	1.938	0.696	7.3	
40	NAU4LKAT208	NAU4LK208																	
1 5/8	NAU4LKAT209-26	NAU4LK209-26	117.6	101.6	14.2	88.9	47.8	27	144.5	81	33.7	18.6	50.3	70	23.9	49.3	17.8	3.4	
1 11/16	NAU4LKAT209-27	NAU4LK209-27	4.625	4.000	0.560	3.500	1.880	1.063	5.688	3.188	1.325	0.731	1.980	2.756	0.940	1.938	0.696	7.6	
1 3/4	NAU4LKAT209-28	NAU4LK209-28																	
45	NAU4LKAT209	NAU4LK209																	
1 7/8	NAU4LKAT210-30	NAU4LK210-30	120.7	101.6	14.2	90.5	47.8	27	147.6	81	36.1	21	52.7	76	23.9	49.3	17.8	3.6	
1 15/16	NAU4LKAT210-31	NAU4LK210-31	4.750	4.000	0.560	3.563	1.880	1.063	5.813	3.188	1.420	0.826	2.075	2.992	0.940	1.938	0.696	8.0	
50	NAU4LKAT210	NAU4LK210																	
2	NAU4LKAT210-32	NAU4LK210-32																	

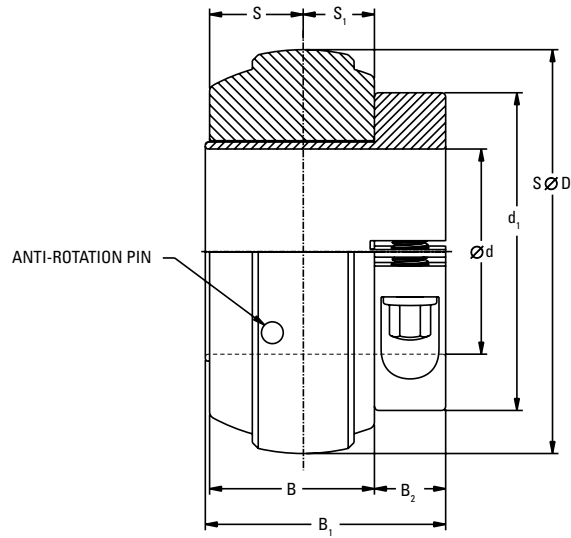


***POLY-ROUND SET SCREW
LOCKING INSERTS***

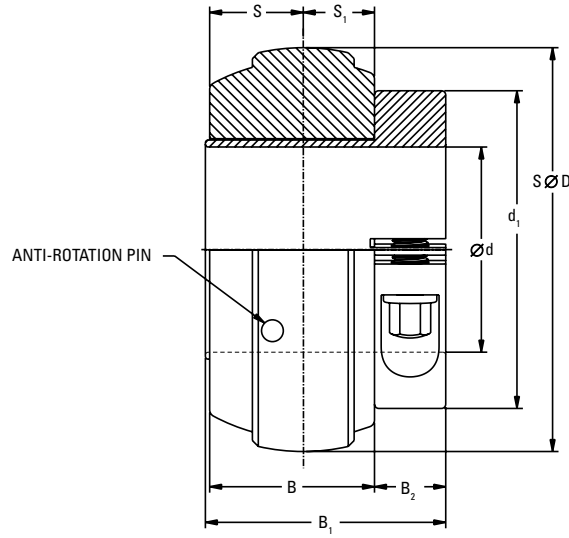
The following topics are covered within this section:

Poly-Round Set Screw Locking Inserts 72

POLY-ROUND SET SCREW LOCKING INSERTS



Shaft Dia. d		Poly-Round Insert With Locking Sleeve Designation	Poly-Round Bearing For Use With Locking Sleeve Designation	Dimensions							Wt.								
				D	B	B ₁	S ₁	S	d ₁	B ₂									
mm	in.			mm in.	mm in.	mm in.	mm in.	mm in.	mm in.	mm in.	kg lbs.								
20	3/4	NAU4LK204-12	NAU4204	47	20.7	34.2	9.6	11.1	41	12.7	0.1								
		NAU4LK204	NAU4204	1.850	0.815	1.346	0.378	0.437	1.614	0.500	0.3								
25	7/8	NAU4LK205-14	NAU4205	52	23.9	37.3	11.1	12.8	44	12.7	0.2								
	15/16	NAU4LK205-15	NAU4205																
		NAU4LK205	NAU4205									2.047	0.940	1.469	0.437	0.503	1.732	0.500	0.4
	1	NAU4LK205-16	NAU4205																
30	1 1/8	NAU4LK206-18	NAU4206	62	25.7	39.2	12.4	13.3	50	12.7	0.3								
		NAU4LK206	NAU4206																
	1 3/16	NAU4LK206-19	NAU4206									2.441	1.012	1.543	0.490	0.522	1.969	0.500	0.6
	1 1/4	NAU4LK206-20	NAU4206																
35	1 1/4	NAU4LK207-20	NAU4207	72	29.4	42.8	12.7	16.7	57	12.7	0.4								
	1 5/16	NAU4LK207-21	NAU4207																
	1 3/8	NAU4LK207-22	NAU4207																
		NAU4LK207	NAU4207									2.835	1.157	1.685	0.500	0.657	2.244	0.500	0.8
		NAU4LK207	NAU4207																
	1 7/16	NAU4LK207-23	NAU4207																



Shaft Dia. d		Poly-Round Insert With Locking Sleeve Designation	Poly-Round Bearing For Use With Locking Sleeve Designation	Dimensions							Wt.
				D	B	B ₁	S ₁	S	d ₁	B ₂	
mm	in.										kg lbs.
40	1½	NAU4LK208-24	NAU4208	80 3.150	34.2 1.345	47.6 1.874	15.1 0.594	19.1 0.751	60 2.362	12.7 0.500	0.5
	1⅝	NAU4LK208-25	NAU4208								1.0
		NAU4LK208	NAU4208								
45	1⅝	NAU4LK209-26	NAU4209	85 3.346	33.7 1.325	50.3 1.980	15.1 0.594	18.6 0.731	70 2.756	15.9 0.626	0.5
	1⅞	NAU4LK209-27	NAU4209								1.2
		NAU4LK209	NAU4209								
50	1⅞	NAU4LK210-30	NAU4210	90 3.543	36.1 1.420	52.7 2.075	15.1 0.594	21 0.826	76 2.992	15.9 0.626	0.6
	1⅞	NAU4LK210-31	NAU4210								1.3
		NAU4LK210	NAU4210								
	2	NAU4LK210-32	NAU4210								

CORROSION-RESISTANT MOUNTED POLY-ROUND PLAIN BEARING PRODUCT OFFERING

Timken offers a broad range of standard corrosion-resistant Mounted Poly-Round Plain Bearings.

- Poly-Round Plain Bearing inserts available in 204-210 series (20 mm - 50 mm and ¾ in. - 2 in.).

- Housings available in cast stainless steel, white polymer (thermoplastic) as well as in hygienic blue polymer (thermoset) and hygienic stainless steel, in all mounting styles.

TABLE 6.
CURRENT CORROSION-RESISTANT PRODUCT OFFERING

Housing Style	Insert Series						
	204	205	206	207	208	209	210
Pillow block (P)	S, PL, B, A	S, PL, B, A	S, PL, B, A	S, PL, B, A	S, PL, B, A	S, PL, B, A	S, PL, B, A
Two-bolt flange (FL)	S, PL, B, A	S, PL, B, A	S, PL, B, A	S, PL, B, A	S, PL, B, A	S, PL, B, A	S, PL, B, A
Three-bolt flange (FB)	S, PL, B, A	S, PL, B, A	S, PL, B, A	S, PL, B, A	S, B, A	B, A	B, A
Four-bolt flange (F)	S, PL, B, A	S, PL, B, A	S, PL, B, A	S, PL, B, A	S, PL, B, A	S, PL, B, A	S, PL, B, A
Take-up, wide slot (T)	S, B, A	S, B, A	S, B, A	S, B, A	S, B, A	S, B, A	S, B, A
Tapped-base (TB)	S	S	S	S	S	S	S
Tapped-base, Y series design with imperial thread (TBY)	S, B, A	S, B, A	S, B, A	S, B, A	S, B, A	B, A	B, A
Tapped Base, Y series design with metric thread (TBYM)	S, B, A	S, B, A	S, B, A	S, B, A	S, B, A	B, A	B, A
Pillow block low-base (PL)	B, A	B, A	B, A	B, A	B, A	B, A	B, A
Two-bolt flange, small bolt Pattern (FLS)	B, A	B, A	B, A	B, A	–	–	–
Three-bolt flange, round (FRB)	B, A	B, A	B, A	B, A	A	A	A
Piloted flange four-bolt (FC)	–	B, A	B, A	B, A	B, A	B, A	B, A
Take-up, narrow slot (TN)	B, A	B, A	B, A	B, A	B, A	B, A	B, A
Hanger Bearing (H)	A	A	A	A	A	A	A

- S** Stainless steel
PL White polymer (thermoplastic)
A Hygienic stainless steel
B Hygienic blue polymer (thermoset)

Current offering shown in catalog product tables.

For product data, price and availability, contact your local sales representative.

Note: sizes 203 and 211-216 area also available for poly-round inserts

DOWNLOAD 3D MODELS AND 2D DRAWINGS AT CAD.TIMKEN.COM



To view more Timken catalogs, go to www.timken.com/catalogs for interactive versions, or to download a catalog app for your smart phone or mobile device scan the QR code or go to timkencatalogs.com.

TIMKEN

The Timken team applies their know-how to improve the reliability and performance of machinery in diverse markets worldwide. The company designs, makes and markets bearings, gear drives, automated lubrication systems, belts, brakes, clutches, chain, couplings, linear motion products and related industrial motion rebuild and repair services.

Price: USD \$75

Stronger. By Design.

www.timken.com

For 3D CAD Downloads visit www.cad.timken.com